

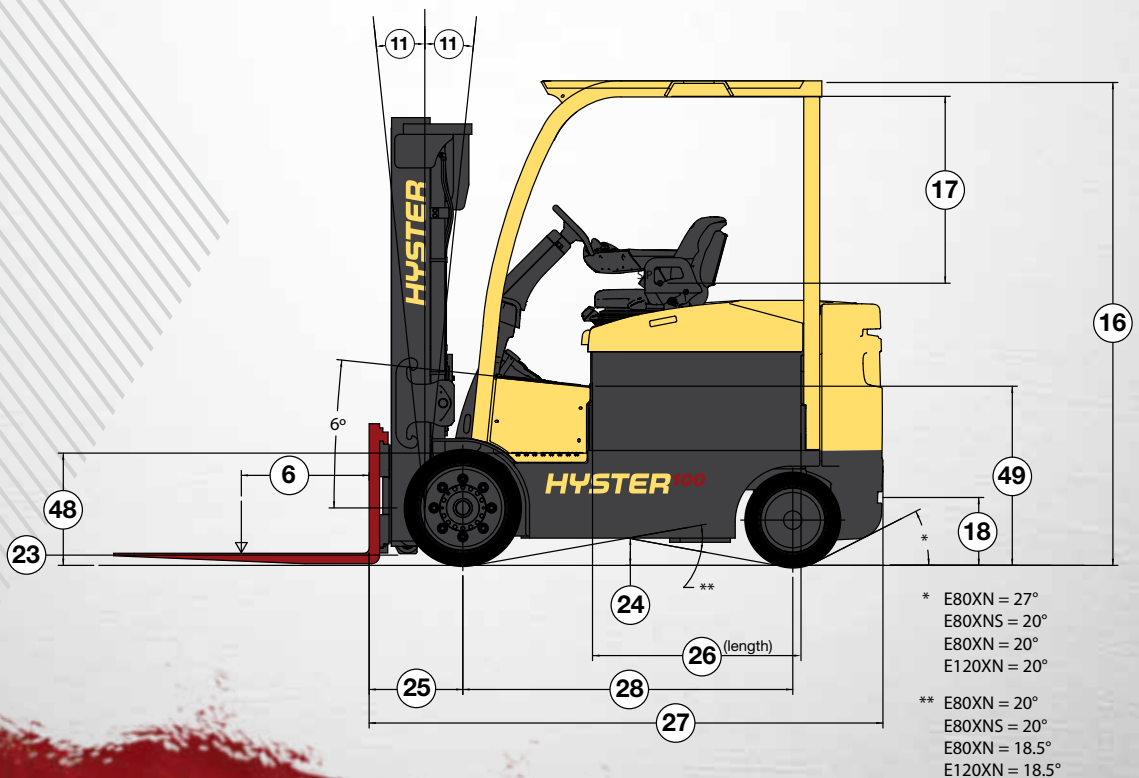
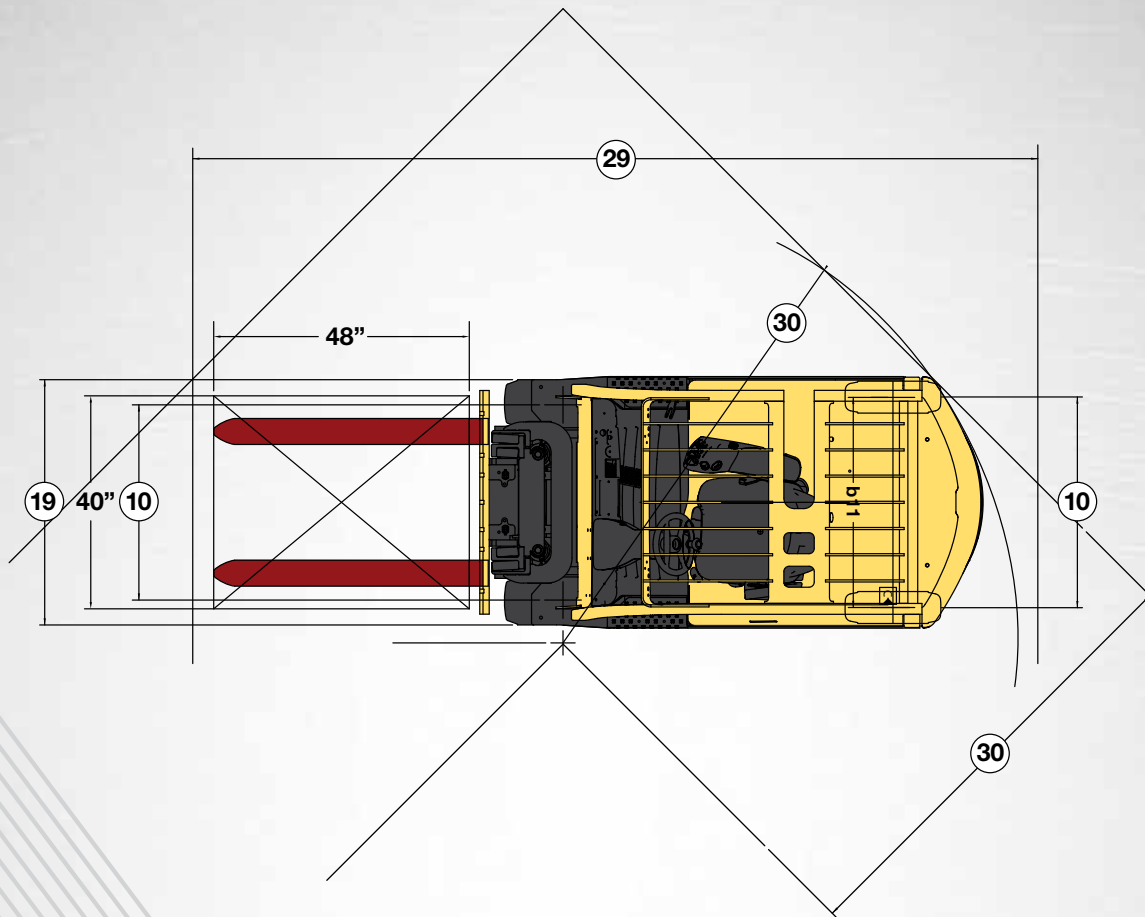
E80-120XN SERIES



**STRONG PARTNERS.
TOUGH TRUCKS.™**

TECHNICAL GUIDE
Counterbalanced Electric, Cushion Tire

E80-120XN DIMENSIONS



Circled dimensions correspond to the line numbers on the tabulated chart inside the Technical Guide. Dimensions are in inches (millimeters).

E80XN SPECIFICATIONS

GENERAL				Hyster		
				E80XN		
1	Manufacturer			Hyster		
2	Model Designation			E80XN		
3	Power			Electric		
4	Operation			Sit		
5	Rated Capacity			8000 (3629)		
6	Load Center			24 (610)		
7	Tire Type - Cushion, Solid, Pneumatic, etc.			Cushion / Cushion		
8	Tire Size			22 x 9 x 16 / 18 x 6 x 12.1		
9	Wheels - Number			2X / 2		
10	Tread			Narr Dr / Wide Dr / Steer		
11	Mast Tilt			Std Opt		
12	Mast - Lowered Height			Std Mast		
13	Free Lift - Top of Fork			Std 2 Stg Limited Free Lift Mast		
14	Lift Height - Top of Fork			Std 2 Stg Limited Free Lift Mast		
15	Mast - Extended Height			Std Mast with / without LBR		
16	Overhead Guard Height			Std / Opt / Opt Flat Plate		
17	SIP to Bottom Std OHG			Seat Depressed		
18	Tow Pin Height			Vertical Center of Pin		
19	Overall Width			Standard Tread / Wide Tread		
20	Forks			Thickness x Width x Length		
21	Standard Carriage Width			Class III		
22	Floor to Top of Battery Rollers			Lowest Point		
23	Ground Clearance			Center of Truck		
24	Ground Clearance			Center of Wheel to Face of Forks		
25	Load Distance			Height		
26	Battery Compartment			Width		
27	Length to Face of Forks			Chassis Length		
28	Wheelbase			Right Angle Stack		
29	Right Angle Stack			Equal Aisle		
30	Equal Aisle			90° Intersecting Aisle		
31	Outside Turning Radius			Truck Weight		
32	Truck Weight			Without Battery		
33	Axle Loading - Drive			Static with Max. Wt. Battery		
34	Axle Loading - Steer			Static with Max. Wt. Battery		
				Standard Performance		
				VOLTS		
				36		
				48		
				80		
36	Travel Speed			Extended Shift OFF		
37	Lift Speed			Std 2 Stg LFL Mast		
38	Lower Speed			Opt 2 Stg FFL Mast		
39	Gradability			5 Minute Rating		
40	Drawbar Pull			5 Minute Rating		
41	Brake			Method of Control		
42	Battery			Type		
				Standard Performance		
				VOLTS		
				36		
				48		
				80		
43	Traction Motor			60 Minute Rating		
44	Pump Motor			15 % Rating		
45	Traction Motor			Type / Control Method		
46	Pump Motor			Type / Control Method		
47	Number of Speeds			Traction / Pump		
48	Step Height			Floor Height		
49	Floor Height			Lowest Point		
50	Attachment Relief Pressure			Auxiliary Oil Flow		
51	Auxiliary Oil Flow			3rd and 4th Function		
52	Sound Level			Measured per ANSI B56.11.5		

Above specifications, unless otherwise listed, are for a standard truck without optional equipment.

Right Angle Stack and Equal Intersecting Aisle dimensions provided with a 48" long and 40" wide pallet load, allowing zero clearance.

CERTIFICATION: These Hyster® lift trucks meet design specifications of Part II ANSI B56.1-1969, as required by OSHA Section 1910.178(a)(2) and also comply with Part III ANSI B56.1-revision in effect at time of manufacture. Certification of compliance with the applicable ANSI standards appears on the lift truck. Performance specifications are for a truck equipped as described under Standard Equipment on this Technical Guide. Performance specifications are affected by the condition of the vehicle and how it is equipped, as well as by the nature, condition of the operating area, proper service and maintenance of the vehicle. If these specifications are critical, the proposed application should be discussed with your dealer.

E100XNS SPECIFICATIONS

GENERAL	1		Manufacturer	Hyster				
	2		Model Designation	E100XNS				
TIRES/WHEELS	3		Power	Electric				
	4		Operation	Sit				
DIMENSIONS	5		Rated Capacity	lb. (kg)	10000 (4536)			
	6		Load Center	in. (mm)	24 (610)			
	7		Tire Type - Cushion, Solid, Pneumatic, etc.	Drive / Steer	Cushion / Cushion			
	8		Tire Size	Drive / Steer	in. 22 x 12 x 16 / 18 x 7 x 12.1			
	9		Wheels - Number	X=Driven	Drive / Steer 2X / 2			
	10		Tread	Center of Tires	Narr Dr / Wide Dr / Steer in. (mm) 40 / 43.9 / 38.3 (1015 / 1115 / 972)			
	11		Mast Tilt	Std Opt	degrees 5F / 5B 8F / 5B			
	12		Mast - Lowered Height	Std Mast	in. (mm) 84.2 (2138)			
	13		Free Lift - Top of Fork	Std 2 Stg Limited Free Lift Mast	in. (mm) 5 (150)			
	14		Lift Height - Top of Fork	Opt 2 Stg Full Free Lift Mast with / without LBR	in. (mm) 35 / 48 (897 / 1222)			
WEIGHT	15		Mast - Extended Height	Std Mast with / without LBR	in. (mm) 159 / 144 (4031 / 3657)			
	16		Overhead Guard Height	Std / Opt / Opt Flat Plate	in. (mm) 94 / 91 / 87.1 (2388 / 2311 / 2212)			
	17		SIP to Bottom Std OHG	Seat Depressed	Std / Susp / Swivel in. (mm) 38.7 / 38.9 / 38.9 (984 / 989 / 989)			
	18		Tow Pin Height	Vertical Center of Pin	in. (mm) 12.7 (324)			
	19		Overall Width	Standard Tread / Wide Tread	in. (mm) 52 / 55.9 (1320 / 1420)			
	20		Forks	Thickness x Width x Length	in. (mm) 2 x 5.9 x 42 (50 x 150 x 1067)			
	21		Standard Carriage Width	Class III	in. (mm) 42 (1067)			
	22		Floor to Top of Battery Rollers		in. (mm) 20 (509)			
	23		Ground Clearance	Lowest Point	NL / RL in. (mm) 3.6 / 3.4 (92 / 87)			
	24		Ground Clearance	Center of Truck	NL / RL in. (mm) 5.3 / 5.1 (134 / 130)			
PERFORMANCE	25		Load Distance	Center of Wheel to Face of Forks	in. (mm) 17.8 (452)			
	26		Battery Compartment	Height	Without / With Battery Rollers in. (mm) 24.4 / 24 (620 / 609)			
				Width	in. (mm) 45.4 (1152)			
				Nominal	SIZE 39"			
				Length	Actual in. (mm) 39.2 (996)			
	27		Length to Face of Forks	Chassis Length	in. (mm) 100.3 (2548)			
	28		Wheelbase		in. (mm) 62 (1574)			
	29		Right Angle Stack		in. (mm) 154 (3911)			
	30		Equal Aisle	90° Intersecting Aisle	in. (mm) 83 (2107)			
	31		Outside Turning Radius		in. (mm) 88.2 (2240)			
ELECTRIC	32		Truck Weight	Without Battery	NL lb. (kg) 13070 (5928)			
	33		Axle Loading - Drive	Static with Max. Wt. Battery	NL / RL lb. (kg) 6798 / 23542 (3084 / 10678)			
	34		Axle Loading - Steer	Static with Max. Wt. Battery	NL / RL lb. (kg) 11069 / 4325 (5021 / 1962)			
					Standard Performance			
					VOLTS			
	36		Travel Speed	Extended Shift OFF	NL / RL	36	48	80
				Extended Shift ON	NL / RL	10.3 / 8.8 (16.6 / 14.2)	11.4 / 11 (18.3 / 17.7)	11.4 / 11 (18.3 / 17.7)
	37		Lift Speed	Std 2 Stg FFL Mast	NL / RL	mph (km/h) 9.1 / 7.7 (14.6 / 12.4)	11.4 / 9.9 (18.3 / 15.9)	11.4 / 9.9 (18.3 / 15.9)
				Opt 2 Stg FFL Mast	NL / RL	ft/min (m/sec) 71 / 46 (0.36 / 0.232)	89 / 57 (0.45 / 0.29)	89 / 57 (0.45 / 0.29)
				Opt 3 Stg FFL Mast	NL / RL	ft/min (m/sec) 67 / 43 (0.34 / 0.219)	84 / 54 (0.425 / 0.274)	84 / 54 (0.425 / 0.274)
38		Lower Speed	Std 2 Stg LFL Mast	NL / RL	ft/min (m/sec) 68 / 44 (0.346 / 0.223)	85 / 55 (0.433 / 0.279)	85 / 55 (0.433 / 0.279)	
			Opt 2 Stg FFL Mast	NL / RL	ft/min (m/sec) 73 / 89 (0.37 / 0.45)	73 / 89 (0.37 / 0.45)	73 / 89 (0.37 / 0.45)	
			Opt 3 Stg FFL Mast	NL / RL	ft/min (m/sec) 57 / 81 (0.29 / 0.41)	57 / 81 (0.29 / 0.41)	57 / 81 (0.29 / 0.41)	
OTHER	39		Gradability	5 Minute Rating	NL / RL	% 19.4 / 11.8	24.6 / 14.7	25.2 / 15.1
				60 Minute Rating	NL / RL	% 7.1 / 4.5	9.1 / 5.6	9.2 / 5.8
	40		Drawbar Pull	5 Minute Rating	NL / RL	lbf 3323 / 3185	3994 / 3832	4074 / 3909
				60 Minute Rating	NL / RL	lbf 1242 / 1224	1497 / 1479	1527 / 1509
41		Brake	Method of Control	Service / Parking	Hydraulic / Spring Applied			
			Method of Operation	Service / Parking	Foot / Automatic			
42		Battery	Type		Lead Acid			
					Standard Performance			
					VOLTS			
43		Traction Motor	60 Minute Rating	hp (kW)	36	48	80	
44		Pump Motor	15 % Rating	hp (kW)	28.8 (21.5)	28.8 (21.5)	28.2 (21)	
45		Traction Motor	Type / Control Method		35.5 (26.5)	48.3 (36)	48.3 (36)	
46		Pump Motor	Type / Control Method		AC / Transistor			
47		Number of Speeds	Traction / Pump		AC / Transistor			
48		Step Height		in. (mm)	Infinitely Variable / Infinitely Variable			
49		Floor Height	Lowest Point	in. (mm)	21.1 (536)			
50		Attachment Relief Pressure		psi (bar)	33.7 (855)			
51		Auxiliary Oil Flow	3rd and 4th Function	gal/min (l/min)	2248 (155)			
52		Sound Level	Measured per ANSI B56.11.5	dB (A)	16 (60)			

Above specifications, unless otherwise listed, are for a standard truck without optional equipment.

Right Angle Stack and Equal Intersecting Aisle dimensions provided with a 48" long and 40" wide pallet load, allowing zero clearance.

CERTIFICATION: These Hyster® lift trucks meet design specifications of Part II ANSI B56.1-1969, as required by OSHA Section 1910.178(a)(2) and also comply with Part III ANSI B56.1-revision in effect at time of manufacture. Certification of compliance with the applicable ANSI standards appears on the lift truck. Performance specifications are for a truck equipped as described under Standard Equipment on this Technical Guide. Performance specifications are affected by the condition of the vehicle and how it is equipped, as well as by the nature, condition of the operating area, proper service and maintenance of the vehicle. If these specifications are critical, the proposed application should be discussed with your dealer.

E100XN SPECIFICATIONS

GENERAL					Hyster	
					E100XN	
1	Manufacturer				Hyster	
2	Model Designation				E100XN	
3	Power				Electric	
4	Operation				Sit	
5	Rated Capacity		lb. (kg)	10000 (4536)		
6	Load Center		in. (mm)	24 (610)		
7	Tire Type - Cushion, Solid, Pneumatic, etc.		Drive / Steer	Cushion / Cushion		
8	Tire Size		Drive / Steer	in. 22 x 12 x 16 / 18 x 7 x 12.1		
9	Wheels - Number		X=Driven	2X / 2		
10	Tread		Center of Tires	Narr Dr / Wide Dr / Steer in. (mm) 40 / 43.9 / 38.3 (1015 / 1115 / 972)		
11	Mast Tilt		Std Opt	degrees 5F / 5B 8F / 5B		
12	Mast - Lowered Height		Std Mast	in. (mm) 84.2 (2138)		
13	Free Lift - Top of Fork		Std 2 Stg Limited Free Lift Mast	in. (mm) 5 (150)		
			Opt 2 Stg Full Free Lift Mast with / without LBR	in. (mm) 35 / 48 (897 / 1222)		
14	Lift Height - Top of Fork		Std 2 Stg Limited Free Lift Mast	in. (mm) 109 (2790)		
15	Mast - Extended Height		Std Mast with / without LBR	in. (mm) 159 / 144 (4031 / 3657)		
16	Overhead Guard Height		Std / Opt / Opt Flat Plate	in. (mm) 94 / 91 / 87.1 (2388 / 2311 / 2212)		
17	SIP to Bottom Std OHG		Seat Depressed	Std / Susp / Swivel	in. (mm) 38.7 / 38.9 / 38.9 (984 / 989 / 989)	
18	Tow Pin Height		Vertical Center of Pin	in. (mm) 12.7 (324)		
19	Overall Width		Standard Tread / Wide Tread	in. (mm) 52 / 55.9 (1320 / 1420)		
20	Forks		Thickness x Width x Length	in. (mm) 2 x 5.9 x 42 (50 x 150 x 1067)		
21	Standard Carriage Width		Class III	in. (mm) 42 (1067)		
22	Floor to Top of Battery Rollers			in. (mm) 20 (509)		
23	Ground Clearance		Lowest Point	NL / RL	in. (mm) 3.6 / 3.4 (92 / 87)	
24	Ground Clearance		Center of Truck	NL / RL	in. (mm) 5.3 / 5.1 (134 / 130)	
25	Load Distance		Center of Wheel to Face of Forks	in. (mm) 17.8 (452)		
26	Battery Compartment		Height	Without / With Battery Rollers	in. (mm) 24.4 / 24 (620 / 609)	
			Width		in. (mm) 45.4 (1152)	
				Nominal	SIZE 45"	
			Length	Actual	in. (mm) 45.7 (1161)	
27	Length to Face of Forks		Chassis Length	in. (mm) 103.1 (2621)		
28	Wheelbase			in. (mm) 68.5 (1739)		
29	Right Angle Stack			in. (mm) 158 (4012)		
30	Equal Aisle		90° Intersecting Aisle	in. (mm) 84.3 (2141)		
31	Outside Turning Radius			in. (mm) 92.2 (2341)		
32	Truck Weight		Without Battery	NL	lb. (kg) 12300 (5579)	
33	Axle Loading - Drive		Static with Max. Wt. Battery	NL / RL	lb. (kg) 7708 / 23813 (3496 / 10801)	
34	Axle Loading - Steer		Static with Max. Wt. Battery	NL / RL	lb. (kg) 10139 / 4035 (4599 / 1830)	
				Standard Performance		
				VOLTS		
				36		
				48		
				80		
36	Travel Speed		Extended Shift OFF	NL / RL	mph (km/h) 10.3 / 8.8 (16.6 / 14.2)	
			Extended Shift ON	NL / RL	mph (km/h) 9.1 / 7.7 (14.6 / 12.4)	
37	Lift Speed		Std 2 Stg LFL Mast	NL / RL	ft/min (m/sec) 71 / 46 (0.36 / 0.232)	
			Opt 2 Stg FFL Mast	NL / RL	ft/min (m/sec) 67 / 43 (0.34 / 0.219)	
			Opt 3 Stg FFL Mast	NL / RL	ft/min (m/sec) 68 / 44 (0.346 / 0.223)	
38	Lower Speed		Std 2 Stg LFL Mast	NL / RL	ft/min (m/sec) 73 / 89 (0.37 / 0.45)	
			Opt 2 Stg FFL Mast	NL / RL	ft/min (m/sec) 57 / 81 (0.29 / 0.41)	
			Opt 3 Stg FFL Mast	NL / RL	ft/min (m/sec) 63 / 87 (0.32 / 0.44)	
39	Gradability		5 Minute Rating	NL / RL	% 19.9 / 11.9	
			60 Minute Rating	NL / RL	% 7.3 / 4.5	
40	Drawbar Pull		5 Minute Rating	NL / RL	lbf 3322 / 3185	
			60 Minute Rating	NL / RL	lbf 1241 / 1224	
41	Brake		Method of Control	Service / Parking	Hydraulic / Spring Applied	
			Method of Operation	Service / Parking	Foot / Automatic	
42	Battery		Type	Lead Acid		
				Standard Performance		
				VOLTS		
				36		
				48		
				80		
43	Traction Motor		60 Minute Rating	hp (kW)	28.8 (21.5)	
44	Pump Motor		15 % Rating	hp (kW)	35.5 (26.5)	
45	Traction Motor		Type / Control Method	AC / Transistor		
46	Pump Motor		Type / Control Method	AC / Transistor		
47	Number of Speeds		Traction / Pump	Infinitely Variable / Infinitely Variable		
48	Step Height			in. (mm)	21.1 (536)	
49	Floor Height		Lowest Point	in. (mm)	33.7 (855)	
50	Attachment Relief Pressure			psi (bar)	2248 (155)	
51	Auxiliary Oil Flow		3rd and 4th Function	gal/min (l/min)	16 (60)	
52	Sound Level		Measured per ANSI B56.11.5	dB (A)	69/66	

Above specifications, unless otherwise listed, are for a standard truck without optional equipment.

Right Angle Stack and Equal Intersecting Aisle dimensions provided with a 48" long and 40" wide pallet load, allowing zero clearance.

CERTIFICATION: These Hyster® lift trucks meet design specifications of Part II ANSI B56.1-1969, as required by OSHA Section 1910.178(a)(2) and also comply with Part III ANSI B56.1-revision in effect at time of manufacture. Certification of compliance with the applicable ANSI standards appears on the lift truck. Performance specifications are for a truck equipped as described under Standard Equipment on this Technical Guide. Performance specifications are affected by the condition of the vehicle and how it is equipped, as well as by the nature, condition of the operating area, proper service and maintenance of the vehicle. If these specifications are critical, the proposed application should be discussed with your dealer.

E120XN SPECIFICATIONS

GENERAL					Hyster	
	1	Manufacturer			Hyster	
2	Model Designation			E120XN		
3	Power			Electric		
4	Operation			Sit		
5	Rated Capacity	lb. (kg)		12000 (5443)		
6	Load Center	in. (mm)		24 (610)		
TIRES/WHEELS	7	Tire Type - Cushion, Solid, Pneumatic, etc.	Drive / Steer	Cushion / Cushion		
	8	Tire Size	Drive / Steer	in. 22 x 12 x 16 / 18 x 7 x 12.1		
9	Wheels - Number	X=Driven	Drive / Steer	2X / 2		
10	Tread	Center of Tires	Narr Dr / Wide Dr / Steer	in. (mm) 40 / 43.9 / 38.3 (1015 / 1115 / 972)		
11	Mast Tilt		Std Opt	degrees 5F / 5B 8F / 5B		
12	Mast - Lowered Height		Std Mast	in. (mm) 84.2 (2138)		
13	Free Lift - Top of Fork	Std 2 Stg Limited Free Lift Mast		in. (mm) 5 (150)		
		Opt 2 Stg Full Free Lift Mast with / without LBR		in. (mm) 35 / 48 (897 / 1222)		
14	Lift Height - Top of Fork	Std 2 Stg Limited Free Lift Mast		in. (mm) 109 (2790)		
15	Mast - Extended Height	Std Mast with / without LBR		in. (mm) 159 / 144 (4031 / 3657)		
16	Overhead Guard Height	Std / Opt / Opt Flat Plate		in. (mm) 94 / 91 / 87.1 (2388 / 2311 / 2212)		
17	SIP to Bottom Std OHG	Seat Depressed	Std / Susp / Swivel	in. (mm) 38.7 / 38.9 / 38.9 (984 / 989 / 989)		
18	Tow Pin Height	Vertical Center of Pin		in. (mm) 12.7 (324)		
19	Overall Width	Standard Tread / Wide Tread		in. (mm) 52 / 55.9 (1320 / 1420)		
20	Forks	Thickness x Width x Length		in. (mm) 2.4 x 5.9 x 42 (60 x 150 x 1067)		
		Standard Carriage Width	Class III	in. (mm) 42 (1067)		
22	Floor to Top of Battery Rollers			in. (mm) 20 (509)		
23	Ground Clearance	Lowest Point	NL / RL	in. (mm) 3.6 / 3.4 (92 / 87)		
24	Ground Clearance	Center of Truck	NL / RL	in. (mm) 5.3 / 5.1 (134 / 130)		
25	Load Distance	Center of Wheel to Face of Forks		in. (mm) 18.2 (462)		
26	Battery Compartment	Height	Without / With Battery Rollers	in. (mm) 24.4 / 24 (620 / 609)		
		Width		in. (mm) 45.4 (1152)		
		Nominal	SIZE	45"		
		Length	Actual	in. (mm) 45.7 (1161)		
27	Length to Face of Forks	Chassis Length		in. (mm) 107.2 (2724)		
28	Wheelbase			in. (mm) 68.5 (1739)		
29	Right Angle Stack			in. (mm) 161.5 (4101)		
30	Equal Aisle	90° Intersecting Aisle		in. (mm) 85.7 (2178)		
31	Outside Turning Radius			in. (mm) 95.3 (2420)		
32	Truck Weight	Without Battery	NL	lb. (kg) 13860 (6287)		
33	Axle Loading - Drive	Static with Max. Wt. Battery	NL / RL	lb. (kg) 7556 / 26951 (3427 / 12225)		
34	Axle Loading - Steer	Static with Max. Wt. Battery	NL / RL	lb. (kg) 11848 / 4453 (5374 / 2020)		
				Standard Performance		
				VOLTS		
				36		
				48		
				80		
36	Travel Speed	Extended Shift OFF	NL / RL	mph (km/h) 9.4 / 8 (15.1 / 12.9) 10.4 / 10 (16.7 / 16.1) 10.4 / 10 (16.7 / 16.1)		
		Extended Shift ON	NL / RL	mph (km/h) 8.2 / 7 (13.2 / 11.3) 10.4 / 9 (16.7 / 14.5) 10.4 / 9 (16.7 / 14.5)		
37	Lift Speed	Std 2 Stg FFL Mast	NL / RL	ft/min (m/sec) 71 / 43 (0.36 / 0.216) 89 / 53 (0.45 / 0.27) 89 / 53 (0.45 / 0.27)		
		Opt 2 Stg FFL Mast	NL / RL	ft/min (m/sec) 67 / 40 (0.34 / 0.204) 84 / 50 (0.425 / 0.255) 84 / 50 (0.425 / 0.255)		
		Opt 3 Stg FFL Mast	NL / RL	ft/min (m/sec) 68 / 41 (0.346 / 0.208) 85 / 51 (0.433 / 0.26) 85 / 51 (0.433 / 0.26)		
38	Lower Speed	Std 2 Stg LFL Mast	NL / RL	ft/min (m/sec) 73 / 89 (0.37 / 0.45) 73 / 89 (0.37 / 0.45)		
		Opt 2 Stg FFL Mast	NL / RL	ft/min (m/sec) 57 / 81 (0.29 / 0.41) 57 / 81 (0.29 / 0.41)		
		Opt 3 Stg FFL Mast	NL / RL	ft/min (m/sec) 63 / 87 (0.32 / 0.44) 63 / 87 (0.32 / 0.44)		
39	Gradability	5 Minute Rating	NL / RL	% 18.5 / 10.4 22.8 / 13.1 23.3 / 13.4		
		60 Minute Rating	NL / RL	% 6.6 / 4 8.3 / 5.1 8.5 / 5.1		
40	Drawbar Pull	5 Minute Rating	NL / RL	lbf 3320 / 3179 3918 / 3755 3996 / 3830		
		60 Minute Rating	NL / RL	lbf 1239 / 1218 1466 / 1445 1495 / 1474		
41	Brake	Method of Control	Service / Parking	Hydraulic / Spring Applied		
		Method of Operation	Service / Parking	Foot / Automatic		
42	Battery	Type		Lead Acid		
				Standard Performance		
				VOLTS		
				36		
				48		
				80		
43	Traction Motor	60 Minute Rating		hp (kW) 28.8 (21.5) 28.8 (21.5) 28.2 (21)		
		15 % Rating		hp (kW) 35.5 (26.5) 48.3 (36) 48.3 (36)		
44	Pump Motor			AC / Transistor		
45	Traction Motor	Type / Control Method		AC / Transistor		
46	Pump Motor	Type / Control Method		AC / Transistor		
47	Number of Speeds	Traction / Pump		Infinitely Variable / Infinitely Variable		
48	Step Height			in. (mm) 21.1 (536)		
49	Floor Height	Lowest Point		in. (mm) 33.7 (855)		
50	Attachment Relief Pressure			psi (bar) 2248 (155)		
51	Auxiliary Oil Flow	3rd and 4th Function		gal/min (l/min) 16 (60)		
52	Sound Level	Measured per ANSI B56.11.5		dB (A) 69/66		

Above specifications, unless otherwise listed, are for a standard truck without optional equipment.

Right Angle Stack and Equal Intersecting Aisle dimensions provided with a 48" long and 40" wide pallet load, allowing zero clearance.

CERTIFICATION: These Hyster® lift trucks meet design specifications of Part II ANSI B56.1-1969, as required by OSHA Section 1910.178(a)(2) and also comply with Part III ANSI B56.1-revision in effect at time of manufacture. Certification of compliance with the applicable ANSI standards appears on the lift truck. Performance specifications are for a truck equipped as described under Standard Equipment on this Technical Guide. Performance specifications are affected by the condition of the vehicle and how it is equipped, as well as by the nature, condition of the operating area, proper service and maintenance of the vehicle. If these specifications are critical, the proposed application should be discussed with your dealer.

MAST DIMENSIONS AND BATTERY SPECIFICATIONS

E80XN MAST DIMENSIONS

Maximum Fork Height (TOF) +	Overall Lowered Ht.	Overall Extended Height w/Load Backrest	Overall Extended Height w/o Load Backrest	Free-Lift (TOF) w/ Load Backrest	Free-Lift (TOF) w/o Load Backrest
in. (mm)	in. (mm)	in. (mm)	in. (mm)	in. (mm)	in. (mm)
2-STAGE LIMITED FREE-LIFT (LFL) MAST					
120 (3050)	84 (2134)	176 (4455)	149 (3783)	5 (150)	5 (150)
143 (3650)	96 (2434)	193 (4884)	173 (4383)	5 (150)	5 (150)
2-STAGE FULL FREE-LIFT (FFL) MAST					
121 (3075)	84 (2134)	170 (4309)	152 (3857)	35 (900)	53 (1352)
144 (3675)	96 (2434)	194 (4909)	176 (4457)	47 (1200)	65 (1652)
3-STAGE FULL FREE-LIFT (FFL) MAST					
173 (4415)	84 (2134)	223 (5649)	205 (5197)	35 (900)	53 (1352)
185 (4715)	88 (2234)	235 (5949)	217 (5497)	39 (1000)	57 (1452)
194 (4950)	92 (2334)	244 (6184)	226 (5732)	43 (1100)	61 (1552)
218 (5550)	100 (2534)	268 (6784)	250 (6332)	51 (1300)	69 (1752)

E100XNS, E100XN, E120XN MAST DIMENSIONS

Maximum Fork Height (TOF) +	Overall Lowered Ht.	Overall Extended Height w/Load Backrest	Overall Extended Height w/o Load Backrest	Free-Lift (TOF) w/ Load Backrest	Free-Lift (TOF) w/o Load Backrest
in. (mm)	in. (mm)	in. (mm)	in. (mm)	in. (mm)	in. (mm)
2-STAGE LIMITED FREE-LIFT (LFL) MAST					
109 (2790)	85 (2138)	159 (4031)	144 (3657)	5 (150)	5 (150)
133 (3390)	96 (2438)	183 (4631)	168 (4257)	5 (150)	5 (150)
157 (3990)	108 (2738)	206 (5231)	192 (4857)	5 (150)	5 (150)
2-STAGE FULL FREE-LIFT (FFL) MAST					
110 (2815)	85 (2138)	160 (4056)	147 (3731)	35 (897)	48 (1222)
134 (3415)	96 (2438)	184 (4656)	171 (4331)	47 (1197)	59 (1522)
3-STAGE FULL FREE-LIFT (FFL) MAST					
162 (4137)	85 (2138)	212 (5378)	200 (5058)	35 (897)	47 (1217)
184 (4690)	92 (2338)	234 (5931)	221 (5611)	43 (1097)	55 (1417)
208 (5290)	100 (2538)	258 (6531)	245 (6211)	51 (1297)	63 (1617)

BATTERY and COMPARTMENT SPECIFICATIONS

Truck Model	Battery Compartment Dimensions			Battery Dimensions and Specifications			Volts	No. of Cells	Plates per Cell	Max Capacity 6 Hour Rate	Weight	
	Width	Length	Height	"X"	"Y"	"Z"					Min	Max
	in (mm)			in (mm)						amp hr (kwh)		lb (kg)
E80XN E100XNS 39" Compartment	45.4 (1152)	39.2 (996)	24.5 (622)	45 (1143)	39 (990)	23.9 (608)	36	18	33	2300 (80.3)	3400 (1542)	4800 (2177)
							48	24	29	1800 (83.8)		
							80	40	15	1000 (77.6)		
E100XN E120XN 45" Compartment	45.4 (1152)	45.7 (1161)	24.5 (622)	45 (1143)	45.3 (1150)	23.9 (608)	36	36	19	2300 (160.6)	4000 (1814)	5500 (2517)
							48	24	33	1800 (83.8)		
							80	40	17	1000 (77.6)		

Battery Type: "EO" (Without Cover)

Battery amp hr (kwh) capacity is max allowable per UL

Commercially available lead acid batteries may not necessarily reach these max limits

Battery Roller option reduces battery compartment height to 24.0" (609mm) & max battery height to 23.4" (595mm)

Battery Compartment Length is measured front to rear.

Battery Compartment Width is measured across the truck

Battery Notes – Conventional Charging (Opt G26201)

Battery Connector: 36 volt - Grey SB®350 (Anderson Power Products® P/N 6320G2 or equivalent)

48 volt - Blue SB®350 (Anderson Power Products® P/N 6321G2 or equivalent)

80 volt - Black SBE®320 (Anderson Power Products® P/N E6359G3 or equivalent)

Handle (not required): SB®350 and SBE®320 (Anderson Power Products® "A" TYPE Grey) P/N 995G2 or equivalent

Battery Lead: Length 20" (508 mm), Position "B", 4/0 AWG

Battery Notes – Rapid/Fast Charging (Opt G26202)

Battery Connector: Requires Dual Positive / Negative Cabling terminating in (2) Female EBC-320 DIN Connectors (Anderson Power Products® P/N E32504-00X9 or equivalent)

Each individual DIN connector to include 1 Red Conductor to (+) and 1 black conductor to (-)

Battery Lead: Length 25" (635 mm), Position "B", Minimum Cable Size 4/0 AWG

STANDARD EQUIPMENT

- 2-Stage Limited Free Lift (LFL) mast with Maximum Fork Height of 120" (3050mm) (E80XN) or 109" (2790mm) (E100-120XN)
- 5° Forward and 5° Back Mast Tilt
- 42" (1067mm) Wide Class III (E80XN) or Class IV (E100-120XN) Hook-type Carriage with 48" (1219mm) High Load Backrest Extension
- 42" (1067mm) Long Forks
- Smooth Tread Rubber Drive Tire and Steer Tire
- Battery Compartment Size (Length)
 - 39" for the E80XN-100XNS
 - 45.5" for the E100-120XN
- Lift Out Battery Extraction
- 36 Volt Electrical System
- Standard Construction
- UL Classification Type "E"
- 12" Steering Wheel with Integral Spinner Knob
- On-Demand Hydrostatic Power Assist Steer System
- Non-Suspension Vinyl Seat
- Black ELR Non-Cinch Seat Belt
- Auto Park Brake
- Key Switch Start
- 94" Grid Style Overhead Guard
- MONOTROL® Foot Direction Control
- 3 Function Hydraulic Control Valve w/Seat Side Mechanical Levers
- AC Traction and Pump Motors (Completely Brushless)
- Transistor Drive and Pump Control
- Advanced VSM (Vehicle System Manager)
- Progressive Thermal Management System
- Fully Integrated CANbus Communication
- Hyster Stability System (HSS®)
- Power Assist Braking
- ADS (Auto Deceleration System) with Regenerative Braking
- Multifunction Display
 - Battery State of Charge Indicator with Lift Interrupt
 - Hour Meters – Traction Motor, Lift Pump Motor and Truck
 - Performance Mode Indicator
 - Direction Indicator
 - Fault Indicator (Audible & Visible)
 - 4 Operator Selectable, Programmable Performance Modes
- Easy Ingress/Egress w/Low Step Height and Contoured Handhold
- Operator Convenience Station - Storage Areas, Beverage & Clipboard Holders
- Adjustable Tilt Steering Column with Low Profile Cowl for Excellent Visibility
- Anti-Cinch Operator Restraint System
- Operator Presence System
- Cushioned Floormat
- Static Strap
- Tow Pin
- Seaside Power Disconnect Button
- On-Board Software
 - Program, Test & Diagnose
 - Password Protected
- Electronic Horn with Integral Relay (Long Life / No Adjustments)

- 12 Month / 2,000 Hour Full Truck Warranty
- 24 Month / 4,000 Hour Powertrain Warranty
- Operating Manual

OPTIONAL EQUIPMENT:

- Side Extraction Battery Removal with Rollers
- 48 or 80 Volt Electrical System
- Rapid / Fast Charge
- Cooler / Freezer Package
- UL Classification Type "EE"
- Available with 2-stage Limited Free Lift (LFL) and 2- or 3-stage Full Free Lift (FFL) masts
- Carriage with Integral Sideshift
- Attachment Carriages (E100XN/XNS)
- Mast Tilt Option – 8° Forward / 5° Back
- Return to Set Tilt
- Accumulator
- TouchPoint Hydraulic Mini-levers with Fully Adjustable Armrest
- 4 Function Hydraulic Control Valve
- Non-Marking, Rubber, or Lug Tread Tires
- Wide Tread Tires
- Non-Suspension Seat (Cloth)
- Full Suspension Seat (Vinyl or Cloth)
- Swivel Seat, Full Suspension (Vinyl or Cloth)
- 91" Grid Style Overhead Guard
- 87" Flat Plate Overhead Guard
- Keyless Start (with Auxiliary Key Switch)
- Seat Side Directional Control
- Telescopic Steering Column with Tilt Memory
- LED and Halogen work light packages
- LED Dome / Reading Light
- LED Brake / Tail / Back-Up light packages
- Audible Reverse Activated Alarm
- Visible Amber Strobe Light - Continuous Activated, Overhead Guard Mounted
- Rear Drive Handle with Integrated Horn Button
- Mirrors – Dual Rear View or Single Panoramic
- Load Weight Indicator
- Impact Monitor
- Operator Password
- Operator Daily Checklist
- System Monitor – Hydraulic Low Fluid Level Indicator and Hydraulic Filter Service Indicator
- Hydraulic Attachment Extension Tubes with and without Quick Disconnect Fittings
- Maintenance Reminder
- Fire Extinguisher – 2.5 lb. Dry Chemical
- Red (HI-VIS) ELR (Emergency Locking Retractor) Non-cinch Seat Belt
- Red (HI-VIS) ELR (Emergency Locking Retractor) Non-cinch Seat Belt with Start Interlock
- Low Mount Display



Hyster Company
P.O. Box 7006
Greenville, North Carolina
27835-7006
Part No. E80-120XN/TG
8/2013 Litho in U.S.A.

Visit us online at www.hyster.com/americas or call us at 1-800-HYSTER-1.

Hyster, , and MONOTROL are registered trademarks of Hyster Company.

Hyster products are subject to change without notice.

The Hyster Company products included in this document may be covered by U.S. Patent 6,959,936 and other patents pending. Trucks shown with optional equipment. ©2013 Hyster Company. All rights reserved.