



STRONG PARTNERS. TOUGH TRUCKS.™

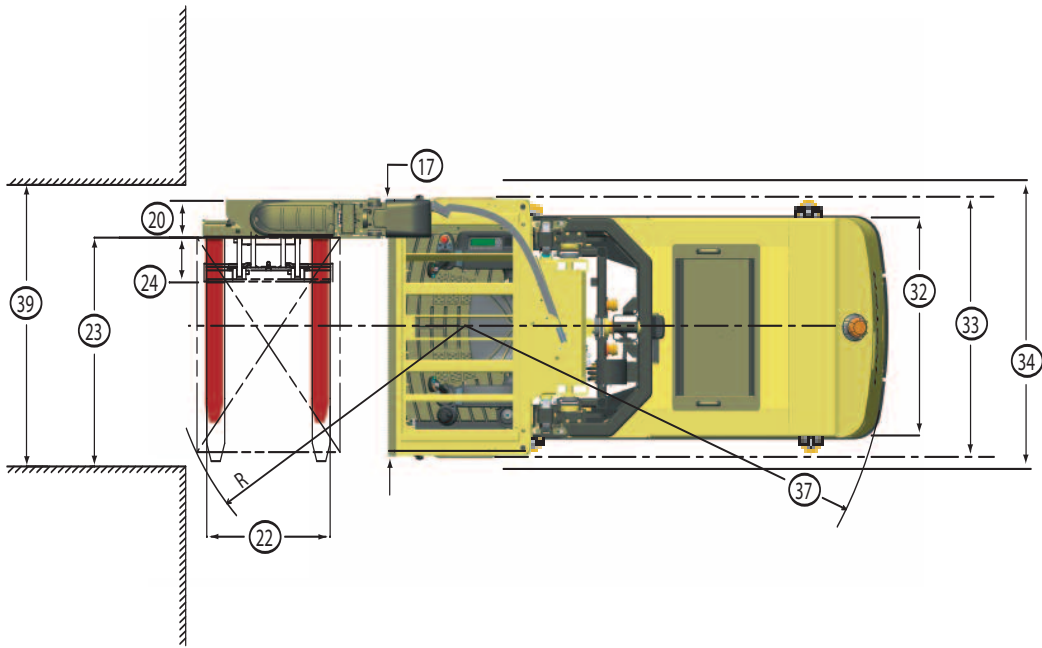
V30-35ZMU AC POWER

Very Narrow Aisle Man-Up Turret Lift Truck

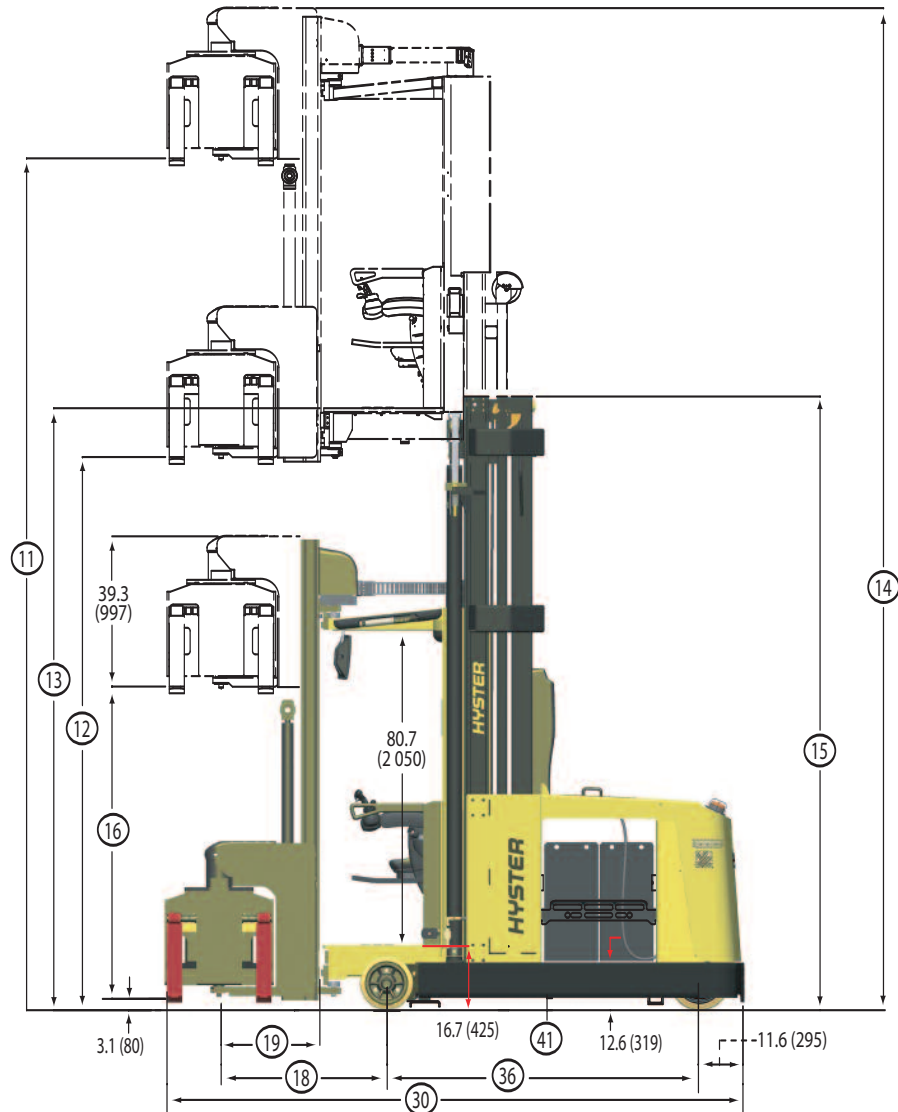


TECHNICAL GUIDE

Hyster® V30-35ZMU Lift Truck Dimensions



2



Hyster® V30-35ZMU Lift Truck Dimensions

GENERAL	1	Manufacturer	Manufacturer Name		Hyster Company
	2	Model	Manufacturer Designation		V30ZMU
	3	Operator Type	Sit / Stand		Man-up Turret - Sit or Stand Operation
	4	Model Configuration	Wheel Base Designation		Medium WB
	5	Capacity	Rated Capacity	lb. (kg)	3,000 (1360)
	6	Load Center	Distance	in. (mm)	24 (610)
	7	Power Type	Electric		Electric - 48 volt
	8	Tire Type	Cushion (C), Pneumatic (P), Load / Drive		Polyurethane / Polyurethane
	9	Wheels	Number (x=drive), Front / Rear		2 / 1x
	10	Mast Type			Tri-Form
DIMENSIONS	11	Mast	Mast, maximum lift height, both masts (TOF)	in. (mm)	See Chart
	12		Mast, maximum lift height, main mast (TOF)	in. (mm)	See Chart
	13		Mast, maximum height, Raised Operator Platform	in. (mm)	See Chart
	14		Mast, maximum overall extended height	in. (mm)	See Chart
	15		Mast, overall lower height	in. (mm)	See Chart
	16		Auxiliary Mast lift height (TOF)	in. (mm)	See Chart
	17	Attachment	Traverse Frame Widths	in. (mm)	47.2 / 55.1 / 61.0 / 66.9 (1200 / 1400 / 1500 / 1700)
	18		Distance, Rotator C/L to load wheel C/L, 2-stage / 3-stage	in. (mm)	43.3 / 46.3 (1101 / 1177)
	19		Pivot Boom Length	in. (mm)	26.4 (670)
	20		Pivot Boom Thickness (Lost Rotator Width)	in. (mm)	8.3 (210)
	21		Fork Carriage Width	in. (mm)	28.3 (720)
	22		Fork Spread Adjustment (outside-outside dimension), min / max	in. (mm)	20.0 / 28.3 (508 / 720)
	23		Traverse Stroke	in. (mm)	40 / 46.8 / 52.7 / 57.7 (990 / 1190 / 1340 / 1490)
	24	Reach Carriage Stroke (pantograph)	in. (mm)	4 / 5 / 6 / 8 / 10 (102 / 127 / 152 / 203 / 254)	
	25	Cab	Cab Width	in. (mm)	47.2 / 55.1 / 61 / 66.9 (1200 / 1400 / 1500 / 1700)
	26		Cab Depth (front of cab to operator seat back)	in. (mm)	34.2 (870)
	27	Forks	Thickness x Width x Length	in. (mm)	1.75 x 4 x 42 (45 x 100 x 1066)
	28		Type		Pin
	29	Truck Length	Headlength (chassis length to face of traverse frame), 2-stage / 3-stage	in. (mm)	105 / 108 (2669 / 2745)
	30		Overall truck length with tucked forks (no load), 2-stage / 3-stage	in. (mm)	145.6 / 148.6 (3698 / 3774)
	31		Length to Face of Forks (forks forward), 2-stage / 3-stage	in. (mm)	135.6 / 138.6 (3444 / 3520)
	32	Overall Dimensions	Frame Width	in. (mm)	48 (1220)
	33		Basewidth (width across load wheels)	in. (mm)	48 / 56 / 62 / 68 (1220 / 1425 / 1575 / 1725)
	34		Width Across Guide Rollers	in. (mm)	50.2 / 58 / 64 / 69.9 (1275 / 1475 / 1625 / 1775)
	35		Top of Fork - Mast Lowered	in. (mm)	3.1 (80)
	36	Wheelbase		in. (mm)	76.5 (1943)
	37	Turning Radius	Minimum Turning Radius	in. (mm)	88.6 (2250)
	38	Transfer Aisle	Minimum Transfer Aisle with Tucked Load, 2-stage / 3-stage	in. (mm)	171.3 (4352) / 175.7 (4462)
	39	Clear Aisle Width	With Pallet on Forks, 2-stage / 3-stage	in. (mm)	Contact Sales
40	Ground Clearance	Lowest Point (No Load)	in. (mm)	1.75 (45)	
41		Center of Wheelbase (No Load)	in. (mm)	2.9 (75)	
WT.	42	Total Approximate Weight	Standard Truck (Without Battery)	lb. (kg)	14,740 (6701)
	43	Axle Loading	Static With Rated Load and Standard Mast (Standard Truck), Front / Rear	lb. (kg)	12,922 / 4,679 (5874 / 2127)
PERFORMANCE †	44	Speed - Travel	Travel Speed, RL / NL	mph	6.5 / 6.5
	45		Lift Speed	fpm	65 / 83
	46	Lower Speed	Auxiliary Mast, RL / NL	fpm	69 / 77
	47		Main Mast, RL / NL	fpm	98 / 98
	48		Auxiliary Mast, RL / NL	fpm	79 / 77
	49	Attachment Speed	Traverse Speed RL / NL	in. per sec.	7.5 / 7.9
	50		Rotate Speed (full 180 degree rotation), maximum speed	sec.	6*
	51	Gradeability	Maximum Gradeability, RL ††	Percent %	6
52	Brakes	Service Brakes		Electric / Mechanical	
53		Method of Operation		Plugging	
WHEELS	54	Tire Type	Load / Drive		Polyurethane / Polyurethane
	55	Wheels	Number (x=drive), Front / Rear		2 / 1x
	56	Tire Size	Load Wheels, Front	in. (mm)	13.78 x 5.5 (350 x 140)
	57	Tire Size	Drive Wheel, Rear	in. (mm)	15.75 x 6.3 (400 x 160)
ELECTRIC	58	Battery	Battery Type		Lead Acid
	59		Volts / Max Ampere Hours	V/AH	48 / 1085
	60		Weight, minimum	lb. (kg)	2,976 (1350)
	61		Connector style on truck		Blue SB 350
	62		Recommended battery lead length and connector position		30" Position B
	63		Battery sizes (with optional spacer groups), Length / Width	in.	44.2 x 20.8
	64		Battery sizes (with optional spacer groups), Length / Width	in.	38.7 x 23.8
	65	Battery sizes (with optional spacer groups), Length / Width	in.	-----	
	66	Electric Motors	Drive Motor Rating (S2 - 60 minimum rating)	kw	7.5
	67		Hoist Motor Rating (S3 - 25% duty cycle rating)	kw	2 x 12
	68		Drive Motor Control		AC - MOSFET
	69		Hoist Motor Control		AC - MOSFET

CERTIFICATION: These Hyster lift trucks meet design specifications of Part II ANSI B56.1-1969, as required by OSHA Section 1910.178(a)(2) and also comply with Part III ANSI B56.1-revision in effect at time of manufacture. Certification of compliance with the applicable ANSI standards appears on the lift truck.
 † NOTE: Performance specifications / ratings are for truck equipped as described under Standard Equipment in this Technical Guide. Performance specifications are affected by the condition of the vehicle and how it is equipped, as well as by the nature and condition of the operating area. Specifications are subject to change and the proposed application should be discussed with your authorized Hyster Company Dealer.
 †† Limited by traction. For further information on this dimension, please contact your local Hyster Company dealer.
 * Performance adjustable per application - Factory default speed set at 7.7 seconds.

Hyster Company V30ZMU Man-up Turret - Sit or Stand Operation	Hyster Company V35ZMU Man-up Turret - Sit or Stand Operation	Hyster Company V35ZMU Man-up Turret - Sit or Stand Operation	Hyster Company V35ZMU Man-up Turret - Sit or Stand Operation
Long WB	Short WB	Medium WB	Long WB
3,000 (1360)	3,500 (1590)	3,500 (1590)	3,500 (1590)
24 (610)	24 (610)	24 (610)	24 (610)
Electric - 48 volt	Electric - 72 volt	Electric - 72 volt	Electric - 72 volt
Polyurethane / Polyurethane	Polyurethane / Polyurethane	Polyurethane / Polyurethane	Polyurethane / Polyurethane
2 / 1x	2 / 1x	2 / 1x	2 / 1x
Tri-Form	Tri-Form	Quad-Form	Quad-Form
See Chart	See Chart	See Chart	See Chart
See Chart	See Chart	See Chart	See Chart
See Chart	See Chart	See Chart	See Chart
See Chart	See Chart	See Chart	See Chart
See Chart	See Chart	See Chart	See Chart
See Chart	See Chart	See Chart	See Chart
47.2 / 55.1 / 61.0 / 66.9 (1200 / 1400 / 1500 / 1700)	47.2 / 55.1 / 61.0 / 66.9 (1200 / 1400 / 1500 / 1700)	47.2 / 55.1 / 61.0 / 66.9 (1200 / 1400 / 1500 / 1700)	47.2 / 55.1 / 61.0 / 66.9 (1200 / 1400 / 1500 / 1700)
43.3 / 46.3 (1101 / 1177)	43.3 / 46.3 (1101 / 1177)	43.3 / 49.3 (1101 / 1251)	43.3 / 49.3 (1101 / 1251)
26.4 (670)	26.4 (670)	26.4 (670)	26.4 (670)
8.3 (210)	8.3 (210)	8.3 (210)	8.3 (210)
28.3 (720)	28.3 (720)	28.3 (720)	28.3 (720)
20.0 / 28.3 (508 / 720)	20.0 / 28.3 (508 / 720)	20.0 / 28.3 (508 / 720)	20.0 / 28.3 (508 / 720)
40 / 46.8 / 52.7 / 57.7 (990 / 1190 / 1340 / 1490)	40 / 46.8 / 52.7 / 57.7 (990 / 1190 / 1340 / 1490)	40 / 46.8 / 52.7 / 57.7 (990 / 1190 / 1340 / 1490)	40 / 46.8 / 52.7 / 57.7 (990 / 1190 / 1340 / 1490)
4 / 5 / 6 / 8 / 10 (102 / 127 / 152 / 203 / 254)	4 / 5 / 6 / 8 / 10 (102 / 127 / 152 / 203 / 254)	4 / 5 / 6 / 8 / 10 (102 / 127 / 152 / 203 / 254)	4 / 5 / 6 / 8 / 10 (102 / 127 / 152 / 203 / 254)
47.2 / 55.1 / 61 / 66.9 (1200 / 1400 / 1500 / 1700)	47.2 / 55.1 / 61 / 66.9 (1200 / 1400 / 1500 / 1700)	47.2 / 55.1 / 61 / 66.9 (1200 / 1400 / 1500 / 1700)	47.2 / 55.1 / 61 / 66.9 (1200 / 1400 / 1500 / 1700)
34.2 (870)	34.2 (870)	34.2 (870)	34.2 (870)
1.75 x 4 x 42 (45 x 100 x 1066)	1.75 x 4 x 42 (45 x 100 x 1066)	1.75 x 4 x 42 (45 x 100 x 1066)	1.75 x 4 x 42 (45 x 100 x 1066)
Pin	Pin	Pin	Pin
109.8 / 112.8 (2789 / 2865)	109.8 / 112.8 (2789 / 2865)	114.9 / 120.8 (2919 / 3069)	122.6 / 128.5 (3114 / 3264)
150.3 / 153.3 (3818 / 3894)	150.3 / 153.3 (3818 / 3894)	155.4 / 161.3 (3948 / 4098)	163.1 / 168 (4143 / 4293)
135.6 / 138.6 (3444 / 3520)	135.6 / 138.6 (3444 / 3520)	135.6 / 138.6 (3444 / 3520)	135.6 / 138.6 (3444 / 3520)
48 (1220)	48 (1220)	48 (1220)	48 (1220)
48 / 56 / 62 / 68 (1220 / 1425 / 1575 / 1725)	48 / 56 / 62 / 68 (1220 / 1425 / 1575 / 1725)	48 / 56 / 62 / 68 (1220 / 1425 / 1575 / 1725)	48 / 56 / 62 / 68 (1220 / 1425 / 1575 / 1725)
50.2 / 58 / 64 / 69.9 (1275 / 1475 / 1625 / 1775)	50.2 / 58 / 64 / 69.9 (1275 / 1475 / 1625 / 1775)	50.2 / 58 / 64 / 69.9 (1275 / 1475 / 1625 / 1775)	50.2 / 58 / 64 / 69.9 (1275 / 1475 / 1625 / 1775)
3.1 (80)	3.1 (80)	3.1 (80)	3.1 (80)
81.2 (2063)	81.2 (2063)	86.3 (2193)	94 (2388)
93.3 (2370)	93.3 (2370)	98.2 (2495)	105.7 (2685)
176.0 (4472) / 180.4 (4582)	176.0 (4472) / 180.4 (4582)	181.0 (4597) / 186.9 (4797)	188.4 (4787) / 192.8 (4897)
Contact Sales	Contact Sales	Contact Sales	Contact Sales
1.75 (45)	1.75 (45)	1.75 (45)	1.75 (45)
2.9 (75)	2.9 (75)	2.9 (75)	2.9 (75)
15,475 (7034)	15,744 (7170)	16,907 (7685)	17,426 (7921)
13,332 / 5,002 (6060 / 2274)	13,913 / 5,161 (6324 / 2346)	14,491 / 5,716 (6587 / 2598)	14,738 / 5,988 (6699 / 2722)
6.5 / 6.5	6.5 / 6.5	6.5 / 6.5	6.5 / 6.5
65 / 83	69 / 79	69 / 79	69 / 79
69 / 77	69 / 77	69 / 77	69 / 77
98 / 98	118 / 118	118 / 118	118 / 118
79 / 77	79 / 77	79 / 77	79 / 77
7.5 / 7.9	7.5 / 7.9	7.5 / 7.9	7.5 / 7.9
6*	6*	6*	6*
6	6	6	6
Electric / Mechanical	Electric / Mechanical	Electric / Mechanical	Electric / Mechanical
Plugging	Plugging	Plugging	Plugging
Polyurethane / Polyurethane	Polyurethane / Polyurethane	Polyurethane / Polyurethane	Polyurethane / Polyurethane
2 / 1x	2 / 1x	2 / 1x	2 / 1x
13.78 x 5.5 (350 x 140)	13.78 x 5.5 (350 x 140)	13.78 x 5.5 (350 x 140)	13.78 x 5.5 (350 x 140)
16 x 7 (406 x 178)	16 x 7 (406 x 178)	16 x 7 (406 x 178)	16 x 7 (406 x 178)
Lead Acid	Lead Acid	Lead Acid	Lead Acid
48 / 1240	72 / 775	72 / 930	72 / 1240
3,087 (1400)	3,307 (1500)	4,079 (1850)	4,189 (1900)
Blue SB 350	Green SB 350	Green SB 350	Green SB 350
30" Position B	30" Position B	30" Position B	30" Position B
38.7 x 23.6	38.3 x 13.5 (x 2 - 36V Battery)	38.1 x 15.8 (x 2 - 36V Battery)	38.3 x 17.9 (x 2 - 36V Battery)
38.4 x 26.8	37.9 x 14.0 (x 2 - 36V Battery)	37.9 x 15.5 (x 2 - 36V Battery)	38.7 x 20.4 (x 2 - 36V Battery)
38.7 x 27	38.3 x 26.7 (Single 72V Battery)	-----	38.3 x 20.1 (x 2 - 36V Battery)
7.5	7.5	7.5	7.5
2 x 12	2 x 15	2 x 15	2 x 15
AC - MOSFET	AC - MOSFET	AC - MOSFET	AC - MOSFET
AC - MOSFET	AC - MOSFET	AC - MOSFET	AC - MOSFET

Hyster® V30-35ZMU Mast Specifications

MAST DIMENSIONS - V30ZMU-MWB, V30ZMU-LWB and V35ZMU-SWB

Maximum Fork Height (Top of Forks) in. (mm)	Overall Lowered Height in. (mm)	Overall Extended Height in. (mm)	Main Lift Maximum Fork Height in. (mm)	Free-Lift (TOF) in. (mm)	Operator Orderpicking Height in. (mm)	Operator Platform Height Maximum in. (mm)
2-STAGE TRI-FORM MAST DIMENSIONS						
232.3 (5 900)	118.1 (3 000)	271.1 (6 887)	148.0 (3 760)	84.3 (2 140)	220 (5 588)	160.8 (4 085)
255.9 (6 500)	129.5 (3 290)	294.8 (7 487)	171.6 (4 360)	84.3 (2 140)	244 (6 198)	184.4 (4 685)
279.5 (7 100)	141.3 (3 590)	318.4 (8 087)	195.3 (4 960)	84.3 (2 140)	268 (6 807)	208.1 (5 285)
302.4 (7 680)	141.3 (3 590)	341.2 (8 667)	195.3 (4 960)	107.1 (2 720)	268 (6 807)	208.1 (5 285)
302.1 (7 700)	153.1 (3 890)	342.0 (8 687)	218.9 (5 560)	84.3 (2 140)	291 (7 391)	231.7 (5 885)
326.8 (8 300)	164.9 (4 190)	365.6 (9 287)	242.5 (6 160)	84.3 (2 140)	315 (8 001)	255.3 (6 485)
337.0 (8 560)	153.1 (3 890)	375.9 (9 547)	218.9 (5 560)	118.1 (3 000)	291 (7 391)	231.7 (5 885)
350.4 (8 900)	176.8 (4 490)	389.3 (9 887)	266.1 (6 760)	84.3 (2 140)	339 (8 611)	278.9 (7 085)
360.6 (9 160)	164.9 (4 190)	399.5 (10 147)	242.5 (6 160)	118.1 (3 000)	315 (8 001)	255.3 (6 485)
374.0 (9 500)	188.6 (4 790)	412.9 (10 487)	289.8 (7 360)	84.3 (2 140)	362 (9 195)	302.6 (7 685)
381.9 (9 700)	192.5 (4 890)	420.7 (10 687)	297.6 (7 560)	84.3 (2 140)	370 (9 398)	310.4 (7 885)
384.3 (9 760)	176.8 (4 490)	423.1 (10 747)	266.1 (6 760)	107.1 (2 720)	339 (8 611)	278.9 (7 085)
396.9 (10 080)	206.3 (5 240)	435.7 (11 067)	312.6 (7 940)	84.3 (2 140)	385 (9 779)	325.4 (8 265)
407.9 (10 360)	188.6 (4 790)	446.7 (11 347)	289.8 (7 360)	118.1 (3 000)	362 (9 195)	302.6 (7 685)
2-STAGE TRI-FORM MAST DIMENSIONS - Available only on V30ZMU-LWB and V35ZMU-SWB						
408.7 (10 380)	212.2 (5 390)	447.5 (11 367)	324.4 (8 240)	84.3 (2 140)	397 (10 084)	337.2 (8 565)
415.7 (10 560)	192.5 (4 890)	454.6 (11 547)	297.6 (7 560)	118.1 (3 000)	370 (9 398)	310.4 (7 885)
420.5 (10 680)	218.1 (5 540)	459.3 (11 667)	336.2 (8 540)	84.3 (2 140)	409 (10 389)	349.0 (8 865)
430.7 (10 940)	206.3 (5 240)	469.6 (11 927)	312.6 (7 940)	118.1 (3 000)	385 (9 779)	325.4 (8 265)
436.2 (11 080)	226.0 (5 740)	475.1 (12 067)	352.0 (8 940)	84.3 (2 140)	424 (10 770)	364.8 (9 265)
442.5 (11 240)	212.2 (5 390)	481.4 (12 227)	324.4 (8 240)	118.1 (3 000)	397 (10 084)	337.2 (8 565)
454.3 (11 540)	218.1 (5 540)	493.2 (12 527)	336.2 (8 540)	118.1 (3 000)	409 (10 389)	349.0 (8 865)
455.9 (11 580)	235.8 (5 990)	494.8 (12 567)	371.7 (9 440)	84.3 (2 140)	444 (11 278)	384.4 (9 765)
463.8 (11 780)	239.8 (6 090)	502.6 (12 767)	379.5 (9 640)	84.3 (2 140)	452 (11 481)	392.3 (9 965)
470.0 (11 940)	226.0 (5 740)	508.9 (12 927)	352.0 (8 940)	118.1 (3 000)	424 (10 770)	364.8 (9 265)
475.6 (12 080)	245.7 (6 240)	514.4 (13 067)	391.3 (9 940)	84.3 (2 140)	464 (11 786)	404.1 (10 265)
489.8 (12 440)	235.8 (5 990)	528.6 (13 427)	371.7 (9 440)	118.1 (3 000)	444 (11 278)	384.4 (9 765)
491.3 (12 480)	253.5 (6 440)	530.2 (13 467)	407.1 (10 340)	84.3 (2 140)	479 (12 167)	419.9 (10 665)
497.6 (12 640)	239.8 (6 090)	536.5 (13 627)	379.5 (9 640)	118.1 (3 000)	452 (11 481)	392.3 (9 965)
509.4 (12 940)	245.7 (6 240)	548.3 (13 927)	391.3 (9 940)	118.1 (3 000)	464 (11 786)	404.1 (10 265)
525.2 (13 340)	253.5 (6 440)	564.1 (14 327)	407.1 (10 340)	118.1 (3 000)	479 (12 167)	419.9 (10 665)
3-STAGE TRI-FORM MAST DIMENSIONS						
227.9 (5 790)	118.1 (3 000)	266.8 (6 777)	143.7 (3 650)	84.3 (2 140)	216 (5 486)	156.5 (3 975)
250.8 (6 370)	141.1 (3 585)	289.6 (7 357)	143.7 (3 650)	107.1 (2 720)	216 (5 486)	156.5 (3 975)
280.3 (7 120)	141.1 (3 585)	319.2 (8 107)	173.2 (4 400)	107.1 (2 720)	246 (6 248)	186.0 (4 725)
320.9 (8 150)	152.2 (3 865)	359.7 (9 137)	202.8 (5 150)	118.1 (3 000)	275 (6 985)	215.6 (5 475)
350.4 (8 900)	152.2 (3 865)	389.3 (9 887)	232.3 (5 900)	118.1 (3 000)	305 (7 747)	245.1 (6 225)
368.9 (9 370)	141.1 (3 585)	407.8 (10 357)	261.8 (6 650)	107.1 (2 720)	334 (8 484)	274.6 (6 975)
375.6 (9 540)	147.2 (3 740)	414.4 (10 527)	291.3 (7 400)	84.3 (2 140)	364 (9 246)	304.1 (7 725)
405.1 (10 290)	157.1 (3 990)	440.0 (11 277)	320.9 (8 150)	84.3 (2 140)	393 (9 982)	333.7 (8 475)
409.5 (10 400)	152.2 (3 865)	448.3 (11 387)	291.3 (7 400)	118.1 (3 000)	364 (9 246)	304.1 (7 725)
3-STAGE TRI-FORM MAST DIMENSIONS - Available only on V30ZMU-LWB and V35ZMU-SWB						
434.6 (11 040)	166.9 (4 240)	473.5 (12 027)	350.4 (8 900)	84.3 (2 140)	423 (10 744)	363.2 (9 225)
439.0 (11 150)	157.1 (3 990)	477.8 (12 137)	320.9 (8 150)	118.1 (3 000)	393 (9 982)	333.7 (8 475)
464.2 (11 790)	176.8 (4 490)	503.0 (12 777)	379.9 (9 650)	84.3 (2 140)	452 (11 481)	392.7 (9 975)
468.5 (11 900)	166.9 (4 240)	507.4 (12 887)	350.4 (8 900)	118.1 (3 000)	423 (10 744)	363.2 (9 225)
493.7 (12 540)	186.6 (4 740)	532.6 (13 527)	409.4 (10 400)	84.3 (2 140)	482 (12 243)	422.2 (10 725)
498.0 (12 650)	176.8 (4 490)	536.9 (13 637)	379.9 (9 650)	118.1 (3 000)	452 (11 481)	392.7 (9 975)
527.6 (13 400)	186.6 (4 740)	566.4 (14 387)	409.4 (10 400)	118.1 (3 000)	482 (12 243)	422.2 (10 725)

SWB = Short Wheel Base ; MWB = Medium Wheel Base; LWB = Long Wheel Base

* Maximum Fork Height = Main Lift + Free Lift

Hyster® V30-35ZMU Mast Specifications

MAST DIMENSIONS - V35ZMU-MWB, V35ZMU-LWB

Maximum Fork Height* (Top of Forks) in. (mm)	Overall Lowered Height in. (mm)	Overall Extended Height in. (mm)	Main Lift Maximum Fork Height in. (mm)	Free-Lift (TOF) in. (mm)	Operator Orderpicking Height in. (mm)	Operator Platform Height Maximum in. (mm)
2-STAGE QUAD-FORM MAST DIMENSIONS						
219.7 (5 580)	118.1 (3 000)	258.5 (6 567)	135.4 (3 440)	84.3 (2 140)	208 (5 283)	148.2 (3 765)
239.4 (6 080)	127.6 (3 240)	278.2 (7 067)	155.1 (3 940)	84.3 (2 140)	227 (5 766)	167.9 (4 265)
259.1 (6 580)	137.4 (3 490)	297.9 (7 567)	174.8 (4 440)	84.3 (2 140)	247 (6 274)	187.6 (4 765)
281.9 (7 160)	141.1 (3 585)	320.7 (8 147)	174.8 (4 440)	107.1 (2 720)	247 (6 274)	187.6 (4 765)
301.6 (7 660)	147.2 (3 740)	340.4 (8 647)	194.5 (4 940)	107.1 (2 720)	267 (6 782)	207.3 (5 265)
318.1 (8 080)	166.9 (4 240)	357.0 (9 067)	233.9 (5 940)	84.3 (2 140)	306 (7 772)	246.7 (6 265)
332.3 (8 440)	157.1 (3 990)	371.1 (9 427)	214.2 (5 440)	118.1 (3 000)	287 (7 290)	227.0 (5 765)
340.9 (8 660)	166.9 (4 240)	397.8 (9 647)	233.9 (5 940)	107.1 (2 720)	306 (7 772)	246.7 (6 265)
360.6 (9 160)	176.8 (4 490)	399.5 (10 147)	253.5 (6 440)	107.1 (2 720)	326 (8 280)	266.3 (6 765)
371.7 (9 440)	176.8 (4 490)	410.5 (10 427)	253.5 (6 440)	118.1 (3 000)	326 (8 280)	266.3 (6 765)
380.3 (9 660)	186.6 (4 740)	419.2 (10 647)	273.2 (6 940)	107.1 (2 720)	346 (8 788)	286.0 (7 265)
391.3 (9 940)	186.6 (4 740)	430.2 (10 927)	273.2 (6 940)	118.1 (3 000)	346 (8 788)	286.0 (7 265)
400.0 (10 160)	196.5 (4 990)	439.9 (11 147)	292.9 (7 740)	107.1 (2 720)	365 (9 271)	305.7 (7 765)
408.7 (10 380)	212.2 (5 390)	447.5 (11 367)	324.4 (8 240)	84.3 (2 140)	397 (10 084)	337.2 (8 565)
411.0 (10 440)	196.5 (4 990)	449.9 (11 427)	292.9 (7 740)	118.1 (3 000)	365 (9 271)	305.7 (7 765)
419.7 (10 660)	206.3 (5 240)	458.5 (11 647)	312.6 (7 940)	107.1 (2 720)	385 (9 779)	325.4 (8 265)
431.5 (10 960)	212.2 (5 390)	470.4 (11 947)	324.4 (8 240)	107.1 (2 720)	397 (10 084)	337.2 (8 565)
442.5 (11 240)	212.2 (5 390)	481.4 (12 227)	324.4 (8 240)	118.1 (3 000)	397 (10 084)	337.2 (8 565)
459.1 (11 660)	226.0 (5 740)	497.9 (12 647)	352.0 (8 940)	107.1 (2 720)	424 (10 770)	364.8 (9 265)
470.1 (11 940)	226.0 (5 740)	508.9 (12 927)	352.0 (8 940)	118.1 (3 000)	424 (10 770)	364.8 (9 265)
478.7 (12 160)	235.8 (5 990)	517.6 (13 147)	371.6 (9 440)	107.1 (2 720)	444 (11 278)	384.4 (9 765)
489.8 (12 440)	235.8 (5 990)	528.6 (13 427)	371.6 (9 440)	118.1 (3 000)	444 (11 278)	384.4 (9 765)
509.4 (12 940)	245.7 (6 240)	548.3 (13 927)	391.3 (9 940)	118.1 (3 000)	464 (11 786)	404.1 (10 265)
2-STAGE QUAD-FORM MAST DIMENSIONS - Available only on V35ZMU-LWB						
514.2 (13 060)	253.5 (6 440)	553.0 (14 047)	407.1 (10 340)	107.1 (2 720)	479 (12 167)	419.9 (10 665)
525.2 (13 340)	253.5 (6 440)	564.1 (14 327)	407.1 (10 340)	118.1 (3 000)	479 (12 167)	419.9 (10 665)

MWB = Medium Wheel Base ; LWB = Long Wheel Base
 * Maximum Fork Height = Main Lift + Free Lift

6

Hyster® V30-35ZMU Battery Specifications

BATTERY SPECIFICATIONS		V30ZMU		V35ZMU		
		MWB	LWB	SWB	MWB	LWB
Compartment size, L x W x H *	in (mm)	40 x 24 x 37 (1 016 x 610 x 940)	40 x 28.7 x 37 (1 016 x 730 x 940)	40 x 28.7 x 37 (1 016 x 730 x 940)	40 x 33.5 x 37 (1 016 x 850 x 940)	40 x 41.5 x 37 (1 016 x 1 055 x 940)
Maximum battery size, L x W x H *	in (mm)	44.4 x 21.3 x 31 (1 127 x 540 x 787)	38.7 x 27 x 31 (983 x 686 x 787)	38 x 14 x 31** (965 x 356 x 787)	38.1 x 15.5 x 31** (969 x 403 x 787)	38.7 x 20.4 x 31** (983 x 518 x 787)
Voltage		48	48	72	72	72
Capacity, 6-hr rate / max. AH	AH	1,085	1,240	775**	930**	1,240**
Capacity, 6-hr rate / max. kWh	kWh	54.1	59.5	27.9	33.5	59.5
Weight, minimum	lb. (kg)	2,976 (1 350)	3,087 (1 400)	3,307 (1 500)	4,079 (1 850)	4,189 (1 900)
Weight, maximum	lb. (kg)	3,527 (1 600)	3,968 (1 800)	3,968 (1 800)	4,850 (2 200)	5,842 (2 650)

* Length is measured side to side of truck, width is measured front to back of truck.
 Trucks use 48 volt blue, 72 volt green battery connector.
 ** Truck requires two 36 volt batteries of this dimension. Series Jumper not included.

Hyster® V30-35ZMU Mast Specifications

MAST DIMENSIONS - V35ZMU-MWB, V35ZMU-LWB

Maximum Fork Height (Top of Forks) in. (mm)	Overall Lowered Height in. (mm)	Overall Extended Height in. (mm)	Main Lift Maximum Fork Height in. (mm)	Free-Lift (TOF) in. (mm)	Operator Orderpicking Height in. (mm)	Operator Platform Height Maximum in. (mm)
3-STAGE QUAD-FORM MAST DIMENSIONS						
279.9 (7 110)	118.1 (3 000)	318.8 (8 097)	195.7 (4 970)	84.3 (2 140)	268 (6 807)	208.5 (5 295)
309.4 (7 860)	127.6 (3 240)	348.3 (8 847)	225.2 (5 720)	84.3 (2 140)	298 (7 569)	238.0 (6 045)
313.8 (7 970)	152.2 (3 865)	352.6 (8 957)	195.7 (4 970)	118.1 (3 000)	268 (6 807)	208.5 (5 295)
332.3 (8 440)	141.1 (3 585)	371.1 (9 427)	225.2 (5 720)	107.1 (2 720)	298 (7 569)	238.0 (6 045)
343.3 (8 720)	152.2 (3 865)	382.2 (9 707)	225.2 (5 720)	118.1 (3 000)	298 (7 569)	238.0 (6 045)
361.8 (9 190)	141.1 (3 585)	400.7 (10 177)	254.7 (6 470)	107.1 (2 720)	327 (8 306)	267.5 (6 795)
372.8 (9 470)	152.2 (3 865)	411.7 (10 457)	254.7 (6 470)	118.1 (3 000)	327 (8 306)	267.5 (6 795)
391.3 (9 940)	147.2 (3 740)	430.2 (10 927)	284.3 (7 220)	107.1 (2 720)	357 (9 068)	297.0 (7 545)
402.4 (10 220)	152.2 (3 865)	441.2 (11 207)	284.3 (7 220)	118.1 (3 000)	357 (9 068)	297.0 (7 545)
420.9 (10 690)	157.1 (3 990)	459.7 (11 677)	313.8 (7 970)	107.1 (2 720)	386 (9 804)	326.6 (8 295)
427.6 (10 860)	166.9 (4 240)	466.4 (11 847)	343.3 (8 720)	84.3 (2 140)	416 (10 566)	356.1 (9 045)
431.9 (10 970)	157.1 (3 990)	470.7 (11 957)	313.8 (7 970)	118.1 (3 000)	386 (9 804)	326.6 (8 295)
450.4 (11 440)	166.9 (4 240)	489.3 (12 427)	343.3 (8 720)	107.1 (2 720)	416 (10 566)	356.1 (9 045)
461.4 (11 720)	166.9 (4 240)	500.3 (12 707)	343.3 (8 720)	118.1 (3 000)	416 (10 566)	356.1 (9 045)
479.9 (12 190)	176.8 (4 490)	518.8 (13 177)	372.8 (9 470)	107.1 (2 720)	445 (11 303)	385.6 (9 795)
490.9 (12 470)	176.8 (4 490)	529.8 (13 457)	372.8 (9 470)	118.1 (3 000)	445 (11 303)	385.6 (9 795)
509.4 (12 940)	186.6 (4 740)	548.3 (13 927)	402.4 (10 220)	107.1 (2 720)	475 (12 065)	415.2 (10 545)
516.1 (13 110)	196.5 (4 990)	555.0 (14 097)	431.9 (10 970)	84.3 (2 140)	504 (12 802)	444.7 (11 295)
520.5 (13 220)	186.6 (4 740)	559.3 (14 207)	402.4 (10 220)	118.1 (3 000)	475 (12 065)	415.2 (10 545)
539.0 (13 690)	196.5 (4 990)	577.8 (14 677)	431.9 (10 970)	107.1 (2 720)	504 (12 802)	444.7 (11 295)
545.7 (13 860)	206.3 (5 240)	584.5 (14 847)	461.4 (11 720)	84.3 (2 140)	534 (13 564)	474.2 (12 045)
550.0 (13 970)	196.5 (4 990)	588.9 (14 957)	431.9 (10 970)	118.1 (3 000)	504 (12 802)	444.7 (11 295)
3-STAGE QUAD-FORM MAST DIMENSIONS - Available only on V35ZMU-LWB						
568.5 (14 440)	206.3 (5 240)	607.4 (15 427)	461.4 (11 720)	107.1 (2 720)	534 (13 564)	474.2 (12 045)
579.5 (14 720)	206.3 (5 240)	618.4 (15 707)	461.4 (11 720)	118.1 (3 000)	534 (13 564)	474.2 (12 045)
3-STAGE QUAD-FORM MAST DIMENSIONS - Available only as special order with V35ZMU-LWB						
581	219	620	496	84	569	509
591	211	631	473	118	546	486
603	215	642	485	118	558	498
615	222	655	508	107	581	521
627	226	667	520	107	593	533
634	236	674	549	84	622	562
651	234	690	544	107	617	557
668	236	707	549	118	622	562

MWB = Medium Wheel Base ; LWB = Long Wheel Base
 * Maximum Fork Height = Main Lift + Free Lift

Auxillary Mast Options	
Free Lift in. (mm)	Overall Lowered Height in. (mm)
84.3 (2 140)	118.1 (3 000)
107.1 (2 720)	141.1 (3 585)
118.1 (3 000)	152.2 (3 865)

Hyster® V30-35ZMU Standard Features

CAPACITY:

Model V30ZMU: 3,000 lbs. at 24" (1 361 kg at 610 mm) load center.
 Model V35ZMU: 3,500 lbs. at 24" (1 588 kg at 610 mm) load center.

Rated capacities are for trucks equipped with:

- Two-stage tri-form mast to 232" (5 893 mm) maximum fork height.
- 55" base width
- 55" operator platform

V30ZMU STANDARD EQUIPMENT

Complete truck equipped with:

- 119" / 232" Tri-Form 2-Stage Mast
- 84.3" Auxillary Mast with 180 degree Turret Attachment and Pantograph - 4" Stroke Standard
- 1.75" x 4" x 42" (45mm x 100mm) - Pin Type Forks
- 56" Base Width
- 55" Operator Platform Width
- Dual Joystick, Seat Side Controls with Simultaneous Operation
- Synchronous Traverse and Rotate
- Automatic Forks Centering
- AC Traction and Hoist Control Systems
- Poly Drive Tire - 15.7" x 6.3"
- Poly Load Wheels - 13.8" x 5.5"
- 48 Volt System with Blue 350 Battery Connector
- UL Type "E" Construction

V35ZMU STANDARD EQUIPMENT

Complete truck equipped with:

- 119" / 232" Tri-Form 2-Stage Mast
- 84.3" Auxillary Mast with 180 degree Turret Attachment and Pantograph - 4" Stroke Standard
- 1.75" x 4" x 42" (45mm x 100mm) - Pin Type Forks
- 56" Base Width
- 55" Operator Platform Width
- Dual Joystick, Seat Side Controls with Simultaneous Operation
- Synchronous Traverse and Rotate
- Automatic Forks Centering
- AC Traction and Hoist Control Systems
- Poly Drive Tire - 16.1" x 7.0"
- Poly Load Wheels - 13.8" x 5.5"
- 72 Volt System with Green 350 Battery Connector
- UL Type "E" Construction

ADDITIONAL STANDARD EQUIPMENT

- AC Hoist System with Regenerative Lowering
- Fully Integrated Canbus Control System
- Auto Deceleration System (ADS)
- Open Front Cab Design
- Sit, Stand or Lean Operator Positions
- Flip-up Side Rails with Gas Spring Assist and Interlock
- Flip-up Full-Suspension Cloth Seat with Height Adjustment
- Adjustable Armrests Independent of Seat Position
- Anti-Fatigue Floormat - Ribbed Rubber
- Parking Brake with Foot Switch Release
- Return to Center Electric Power Steering
- Operator Fan & Dome Light - OHG Mounted
- Work Lights - Right and Left Side
- Graphics Display with Real Time Truck Status
- Battery Discharge Indicator with Lift Interrupt
- Integral Multi-Mode Hour Meter
- Overhead Guard
- Operator Adjustable Performance Modes (soft, standard, medium, hard)
- Real-Time Onboard Diagnostics
- Active Thermal Management System
- Override for Forks Traverse (in MDU compartment)
- Manual Lowering Valve (in MDU compartment)
- Battery Top Access Door
- Static Discharge Strap
- Welded Steel Frame
- Key Switch
- Electronic Horn
- Flashing Amber Strobe on Motor Cover and under Operator Compartment
- Battery Rollers 12.6" Above Floor
- Power Supply Disconnect Button
- Operator's, Parts and Service Manual
- 12 Months / 2,000 Hours Manufacturer's Warranty Battery not included.

Hyster® V30-35ZMU Features and Options

MAST

- Tri-form and Quad-form design provides confidence inspiring stability and unmatched capacity.
- Eccentric bearing design for easy adjustability
- Bolt on load rollers
- Rolled steel tubes and welded steel construction
- Hose break valves
- Slack Chain sensors and load cells

CANBus CONTROL SYSTEM

- Reduces wiring and electrical connections for better visibility through the mast and simplified servicing
- Continuous vehicle system monitoring and communication between all vehicle controllers and sensors
- HySense Advance continuously monitors lift height and load weight to provide maximum truck performance
- Stepless travel and lift/lower speed control
- Single point diagnostic access of all truck components
- Operator adjustable performance parameters
- Programmable lift limits with override (service password access only)
- Single touch automatic forks center and synchronized traverse and rotate
- Programmable lift height pre-selector

HYDRAULIC SYSTEM

- Dual AC hydraulic motors and pumps provide maximum lift speed and combined attachment functions
- Hydraulically powered operator platform lowering
- O-ring face seal fittings for leak free hydraulics
- Two manifold blocks
- Hydraulic load sensing facilities multi-tasking of hydraulic functions
- In-line full flow filtration

DRIVE TRAIN

- Vertically mounted and stationary 48 or 72 volt AC traction motor
- Completely enclosed drive, steer and hoist motors
- Programmable maximum travel speed, acceleration, deceleration, and regenerative braking
- Smooth lag free direction change
- Optimized braking system reduces brake force when forks are elevated
- Single piece metal motor compartment cover allows easy access to all traction, hydraulic and electronic control components

STEERING SYSTEM

- Electronic gear on gear steering system
- Return to Center steering
- Optional Multi-turn steering
- Travel speed reduction when cornering

ATTACHMENT

- 180 degree turret attachment
- Traverse rails mounted to top and bottom of operator compartment
- Narrow pivot head width minimizes attachment lost load
- Optical encoders provide feedback on attachment position and auxiliary mast lift height
- Radial attachment bearings
- Eccentric thrust rollers
- Pin type fork carriage with integral pantograph mechanism electronically controlled from 4" to 10" of stroke
- Valve block hydraulically locks attachment in any position and prevents drift
- Over pressure relief valve

OPERATOR COMPARTMENT

- Standard seat side control joysticks maximize operator productivity and comfort
- Optional forward barrier and /or center control console
- Adjustable seat with armrest facilitates standing or seated operation
- Armrests can be height and width adjusted independent of the seat
- Seat rotates from 0 to +/- 20 degrees
- Large and easily actuated foot pedals integrated into operator compartment floor
- Integral DC/DC converter for RF devices
- Low platform step height
- Premium rubber floor mat
- Multifunction display and keypad shows major truck functions, operating mode, guidance status, and real time height, weight and speed.



Special attachments, equipment or accessories not listed above may be available through Applications Engineering for specific application requirements.



Hyster Company
P.O. Box 7006
Greenville, North Carolina
27835-7006

Part No.: V30-35ZMU/TG
5/2006 Litho in U.S.A.

Visit us online at www.hysterusa.com or call us at 1-800-HYSTER-1.

SpaceSaver, VISTA and MONOTROL are registered trademarks of Hyster Company.
Hyster, , Fortis, DuraMatch, Pacesetter VSM, TouchPoint, TouchControl,
Challenger, and  UNISOURCE are trademarks of Hyster Company. Hyster products
are subject to change without notice.

