



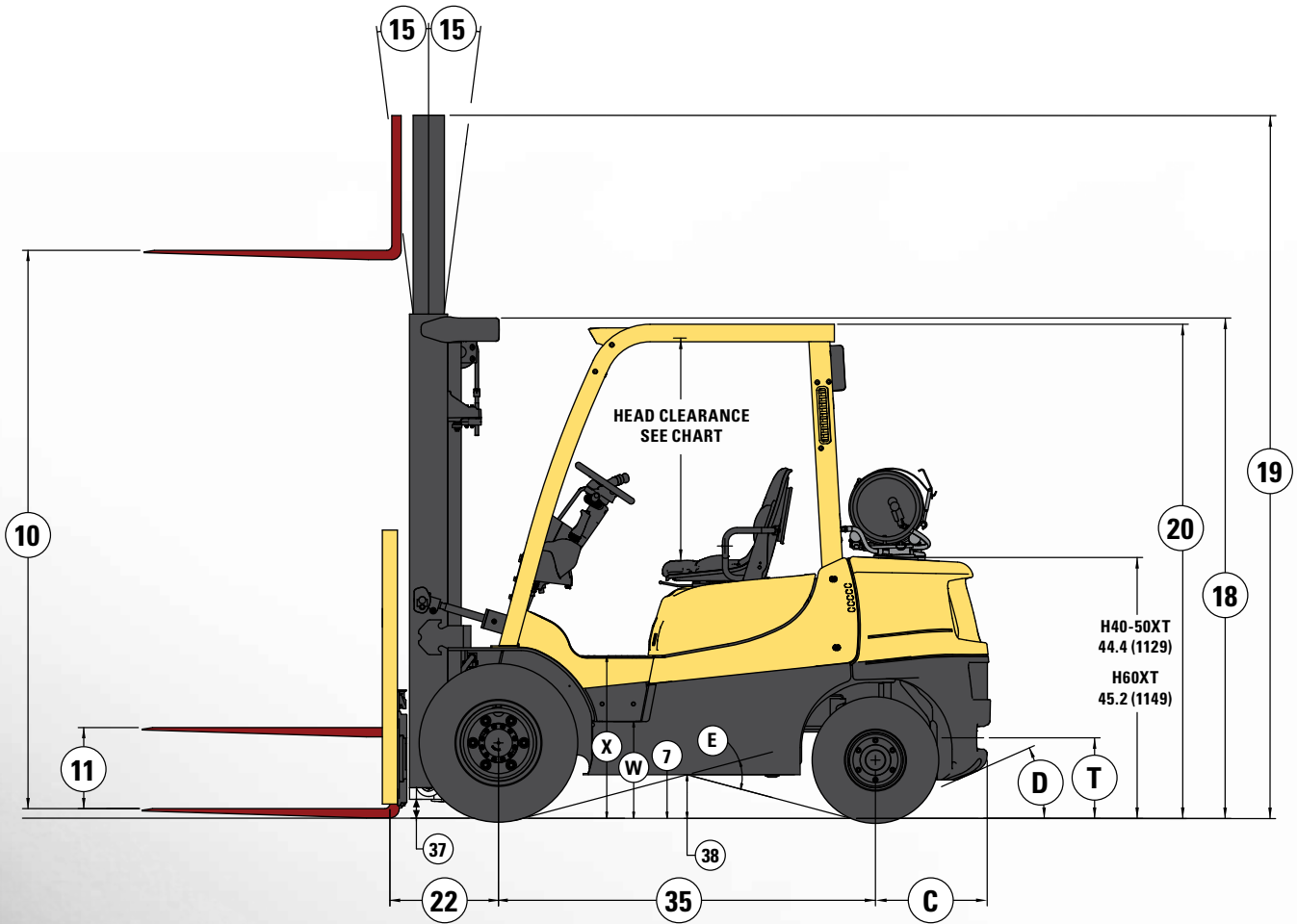
**STRONG PARTNERS.  
TOUGH TRUCKS.™**



## H40-60XT SERIES TECHNICAL GUIDE

[WWW.HYSTER.COM](http://WWW.HYSTER.COM)

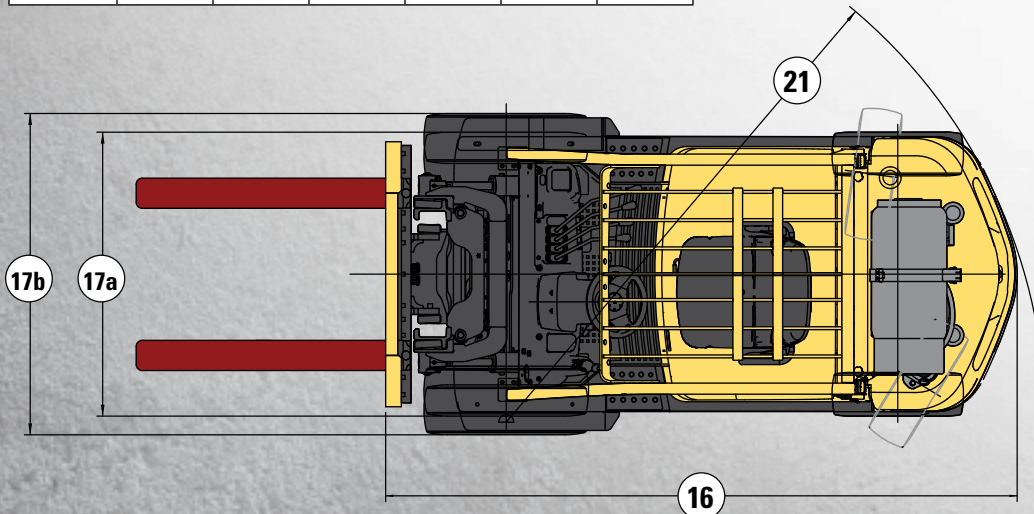
# > DIMENSIONS



TRUCK MODEL	C	D	E	T	W	X
	in (mm)	percent	percent	in (mm)	in (mm)	in (mm)
H40XT	17.1 (434)	70	53	6.6 (168)	13.7 (349)	27.6 (702)
H50XT	19.5 (495)	55	53	6.6 (168)	13.7 (349)	27.6 (702)
H60XT	20.4 (518)	58	58	7.4 (168)	14.5 (369)	28.4 (722)

HEAD CLEARANCE			
Seat Type	Standard OHG*	Optional OHG*	
Non-Suspension	46.9 (1192)	43.0 (1092)	36.9 (939)
Full-Suspension	46.9 (1192)	N/A	N/A

\* Seat in depressed position



Circled dimensions correspond to the line numbers on the tabulated chart inside the Technical Guide. Dimensions are in inches (mm).



# SPECIFICATIONS

		HYSTER COMPANY							
		H40XT		H50XT		H60XT			
GENERAL	1	Manufacturer Name	Hyster Company						
	2	Model	H40XT		H50XT		H60XT		
		Engine	PSI 2.4L						
	3	Rated Capacity	4000 (1814)		5000 (2268)		6000 (2722)		
	4	Load Center, Distance	24 (610)						
	5	Power Type - LPG, Dual Fuel	LPG	Dual Fuel	LPG	Dual Fuel	LPG	Dual Fuel	
	6	Operator Type	Sit-Down Rider						
	7	Step Height	16.3 (415)				17.1 (435)		
	8	Tire Type - Cushion, Solid, Pneumatic	Pneumatic						
DIMENSIONS	9	Wheels, Number - Front/ Rear	2x/2						
	10	Lift Height, Top of Fork (TOF)	129 (3292)				126 (3209)		
	11	Lift Heights, Standard Limited Free Lift (LFL) w/LBR (TOF)	5 (140)						
		Lift Heights, Optional Full Free Lift (FFL) with LBR (TOF)	58 (1490)						
	12	Standard Carriage Width	42 (1067)						
	13	Forks, Thickness x Width x Length	1.6 X 3.9 X 42 (40 X 100 X 1067)						
	15	Mast Tilt Angles, Forward/Backward	6/6						
	16	Length To Face of Forks	99.5 (2528)		101.9 (2589)		106.3 (2701)		
	17a	Overall Width, Standard Tread	45.7 (1162)				46.9 (1191)		
	17b	Overall Width, Wide Tread	52 (1322)				52.2 (1326)		
	18	Height, Standard Mast - Lowered	86 (2170)				89 (2245)		
	19	Height, Standard Mast - Extended with LBR	147 (3715)				175 (4330)		
		Height, Standard Mast - Extended without LBR	154 (3904)				154 (3905)		
	20	Height, Standard Overhead Guard	87.7 (2228)				88.6 (2250)		
		Height, Optional Overhead Guard	83.8 (2128)				84.6 (2150)		
	21	Turning Radius, Minimum Outside (OTR)	85.7 (2178)		88 (2236)		91.5 (2324)		
	22	Length, Center of Wheel to Face of Forks	18.5 (471)				19 (483)		
	23	Aisle Width, Right Angle Stack (Add Length of Load)	104.3 (2649)		106.6 (2707)		110.3 (2802)		
	24	Equal Aisle, 90-Degree Intersecting Aisle	79.9 (2030)		80.9 (2056)		83 (2108)		
	PERFORMANCE	25	Travel Speed, Powershift Transmission RL/NL	11.4/11.6 (18.4/18.6)				12.3/12.4 (19.8/20)	
		26	Lift Speed, Standard 2-Stage LFL RL/NL	128/134 (0.65/0.68)				112/118 (0.57/0.60)	
			Lift Speed, Optional 3-Stage FFL RL/NL	120/126 (0.61/0.64)				106/112 (0.54/0.57)	
		27	Lowering Speed, Standard 2-Stage LFL RL/NL	114/98 (0.58/0.50)					
			Lowering Speed, Optional 3-Stage FFL RL/NL	114/98 (0.58/0.50)					
28		Maximum drawbar pull RL/NL	4947/2282 (2244/1035)		4916/2217 (2230/1006)		4438/2534 (2013/1149)		
		Drawbar Pull, Standard Transmission @ 1 mph RL/NL	4186/2282 (1899/1035)		4154/2217 (1884/1006)		3792/2534 (1720/1149)		
29		Gradeability, Standard Transmission @ 1 mph RL/NL	35.9/31.5		30.2/27.6		23.5/27.6		
WT.		31	Weight, Standard Truck (2-Stg. LFL 84/127) NL	8170 (3705)		8910 (4040)		10300 (4671)	
			Weight, Standard Truck (2-Stg. LFL 84/127) RL	12170 (5520)		13910 (6308)		16300 (7392)	
	32	Axle Loading, Static Front/Rear NL	3855/4311 (1748/1955)		3695/5210 (1676/2363)		4207/6089 (1908/2761)		
		Axle Loading, Static Front/Rear RL	10518/1648 (4770/747)		12024/1881 (5453/853)		14064/2232 (6378/1012)		
TIRES & WHEELS	33	Tire Size, Front	7.00 x 12 - 12				28 x 9 - 15		
	34	Tire Size, Rear	6.00 x 9				6.50 x 10		
	35	Wheelbase	63.9 (1623)				66.9 (1700)		
	37	Ground Clearance, Lowest Point NL (w/RL subtract-6mm)	3.3 (84)				4.1 (104)		
	38	Ground Clearance, Center of Wheelbase NL	7.5 (190)				8.3 (210)		
	39	Service Brake - Method of Control/Operation	Foot/Hydraulic						
40	Parking Brake - Method of Control/Operation	Hand/Mechanical							
41	Battery Type	Maintenance Free							
42	Volts/Cold Cranking Amps	12/475							
43	Engine, Manufacturer/Model	PSI 2.4L							
44	Permanent Output @ Rated RPM	62 (46) @ 2700 RPM							
45	Torque @ Rated RPM	124 (17.1) @ 1600 RPM							
46	Number of Cylinders/Displacement	4/2351 (143)							
47	Transmission Type, Standard	Electronic Powershift							
POWERTRAIN		Standard Speeds, Forward - Reverse	1-1						
	49	Hydraulic Tank Capacity (Drain and Refill)	11.1 (42)						
	50	Fuel Tank Capacity (LPG & Dual Fuel Powered Units Only)	18.2 (69)						
	51	Auxiliary Hydraulic Pressure Relief for Attachments	2550 (17.6)						

CERTIFICATION: Hyster lift trucks meet the design and construction requirements of B56.1-1969, per OSHA Section 1910.178(a)(2), and also comply with the B56.1 revision in effect at time of manufacture. Certification of compliance with the applicable ANSI standards appears on the lift truck.

† NOTE: Performance specifications / ratings are for truck equipped as described under Standard Equipment in this Technical Guide. Performance specifications are affected by the condition of the vehicle and how it is equipped, as well as by the nature and condition of the operating area. Specifications are subject to change and the proposed application should be discussed with your authorized Hyster Company Dealer.

†† Limited by traction. For further information on this dimension, please contact your local Hyster® dealer.

<b>H40-50XT MAST SPECIFICATIONS</b>							
Maximum Fork Height (TOF) †	Overall Lowered Height	Overall Extended Height		Free-Lift (TOF)		Approximate Total Weight of Standard Equipped Truck*	
		w/ Load Backrest	w/o Load Backrest	w/ Load Backrest	w/o Load Backrest	H40XT	H50XT
in (mm)	in (mm)	in (mm)	in (mm)	in (mm)	in (mm)	lbs (kg)	lbs (kg)
<b>2-STAGE LIMITED FREE-LIFT (LFL) VISTA™PLUS MAST</b>							
129 (3290)	86 (2170)	178 (4515)	154 (3904)	5 (140)	5 (140)	7990 (3624)	8720 (3955)
<b>3-STAGE FULL FREE-LIFT (FFL) VISTA™PLUS MAST</b>							
171 (4350)	78 (1970)	220 (5570)	195 (4935)	29 (750)	54 (1390)	8270 (3751)	9000 (4082)
189 (4800)	84 (2120)	237 (6020)	213 (5385)	35 (900)	60 (1540)	8340 (3783)	9080 (4119)
194 (4950)	86 (2170)	243 (6170)	218 (5535)	37 (950)	62 (1590)	8370 (3797)	9110 (4132)
200 (5100)	90 (2270)	249 (6320)	224 (5685)	41 (1050)	66 (1690)	8410 (3815)	9150 (4150)
218 (5550)	96 (2420)	267 (6770)	242 (6135)	47 (1200)	72 (1840)	8500 (3856)	9240 (4191)
† Lift heights over 171.5" (4356 mm) max. fork height are considered highlifts and require reduced capacity and restricted back tilt. * Total approximate weights listed include mast, standard carriage, load backrest extension, pneumatic tires and 70 lbs. LP tank and tank bracket. RL = Rated Load      NL = No Load							

<b>H60XT MAST SPECIFICATIONS</b>							
Maximum Fork Height (TOF) †	Overall Lowered Height	Overall Extended Height		Free-Lift (TOF)		Approximate Total Weight of Standard Equipped Truck*	
		w/ Load Backrest	w/o Load Backrest	w/ Load Backrest	w/o Load Backrest	H60XT	
in (mm)	in (mm)	in (mm)	in (mm)	in (mm)	in (mm)	lbs (kg)	
<b>2-STAGE LIMITED FREE-LIFT (LFL) VISTA™PLUS MAST</b>							
126 (3209)	89 (2245)	175 (4430)	154 (3905)	5 (150)	5 (150)	10050 (4559)	
<b>3-STAGE FULL FREE-LIFT (FFL) VISTA™PLUS MAST</b>							
181 (4615)	87 (2195)	230 (5840)	208 (5260)	37 (965)	63 (1600)	10410 (4722)	
187 (4768)	91 (2295)	236 (5990)	213 (5410)	41 (1065)	65 (1655)	10460 (4745)	
211 (5368)	101 (2545)	260 (6590)	237 (6010)	51 (1315)	75 (1905)	10590 (4804)	
228 (5815)	107 (2695)	278 (7040)	256 (6495)	57 (1465)	80 (2055)	10770 (4885)	
† Lift heights over 171.5" (4356 mm) max. fork height are considered highlifts and require reduced capacity and restricted back tilt. * Total approximate weights listed include mast, standard carriage, load backrest extension, pneumatic tires and 70 lbs. LP tank and tank bracket. RL = Rated Load      NL = No Load							



# FEATURES AND OPTIONS

## STANDARD EQUIPMENT

---

PSI 2.4L LPG engine  
Electronic powershift transmission  
Monotrol® pedal directional control  
2-stage LFL VISTA™PLUS mast  
42" wide hook-type carriage with 48" tall load backrest  
42" forks  
6° forward / 6° back tilt  
3-function hydraulic control valve  
Integrated dashboard display  
Hydrostatic power steering  
Non-suspension vinyl seat with non-cinch seat belt  
Electronic horn  
Keyswitch start  
Adjustable steer column

Rubber floor mat  
High air intake  
Integral tie downs  
Operator restraint system  
Aluminum core, anti-clog radiator  
Single pedal inch brake  
Hyster Stability System (HSS®)  
Cowl-mounted mechanical hydraulic control levers  
Fixed LPG tank bracket  
88" overhead guard  
UL classification LP  
Counterweight exhaust  
1 year / 2,000 hour full truck warranty  
3 years / 6,000 hour powertrain warranty

## OPTIONAL EQUIPMENT

---


PSI 2.4L dual fuel engine  
Column-mounted directional shift lever  
High air intake with pre-cleaner  
Accumulator  
Keyless start (with auxiliary key switch)  
Front and rear halogen or LED work lights  
Anti-clog plus radiator  
Fire extinguisher  
Load weight display  
Swing-out LPG tank bracket  
TouchPoint mini-lever hydraulic controls  
Return-to-set-tilt (cowl mounted mechanical levers only)  
Rear drive handle with horn button  
10° forward / 6° back tilt  
Clamping hydraulic control with detent  
4-function hydraulic control valve  
84" overhead guard  
Operator cab kit with heater  
12-volt power supply  
Belly screen  
Frame mounted external tie downs

Full suspension seat – vinyl or cloth  
Red, high-visibility, non-cinch seat belt  
Glass or polycarbonate overhead guard rain top  
Integral sidsifter  
Integral sidsifting fork positioner  
Dual inch brake pedals  
Dual side view mirrors  
Audible alarm – reverse activated  
Visible alarm – amber strobe  
Visible alarm – blue spot light  
Various light packages  
Overhead exhaust  
Pneumatic shaped solid tires  
Non-marking pneumatic shaped solid tires  
Wide tread  
Tilt cylinder boots  
Traction speed limiter  
Telemetry (3 levels)  
L1: Wireless monitoring (cellular or WiFi)  
L2: Wireless access (for use with operator swipe cards)  
L3: Wireless verification (facilitates operator checklist functionality)



Hyster Company  
P.O. Box 7006  
Greenville, North Carolina  
27835-7006  
Part No. H40-60XT/TG  
4/2017 Litho in U.S.A.

Visit us online at [www.hyster.com](http://www.hyster.com) or call us at **1-800-HYSTER-1**.

Hyster, , and STRONG PARTNERS. TOUGH TRUCKS. and MONOTROL are registered trademarks in the United States and certain other jurisdictions. Hyster products are subject to change without notice.

Trucks may be shown with optional equipment. © 2017 Hyster Company. All rights reserved.