

# H30-40FTS SERIES



**STRONG PARTNERS.  
TOUGH TRUCKS.™**

COUNTERBALANCED I.C.E. PNEUMATIC TIRE

# H30-40FTS SERIES

## HYSTER FORTIS® – THE SOLUTION TO YOUR APPLICATION NEEDS.

The Fortis® truck series represents a breakthrough in how lift trucks are designed, tested and built. It starts with a commitment to quality and dependability, incorporating proven design processes and systems to ensure the toughest, most durable designs. We have invested heavily in the best virtual, bench and field testing equipment and processes in the industry. Every team of supplier quality engineers ensures only components of the highest value go into Hyster® lift trucks. In addition, we have invested in state-of-the-art manufacturing systems and processes, including automated-guided vehicles (AGV), robotic welding and computer controlled manufacturing lines to ensure proven Hyster quality.

As you would expect from Hyster Company, the trucks developed from this rigorous process boast low cost of ownership, maximum uptime, excellent ergonomics and enhanced performance.

Hyster is committed to delivering extraordinary aftermarket support including:

- Exceptional serviceability and onboard diagnostics to maximize uptime and keep your investment operating at peak performance.
- Guaranteed Availability Program (G.A.P.) – a fast and comprehensive parts availability program.
- A dedicated, reliable and experienced dealer network.
- A comprehensive standard warranty program.

Each of these breakthroughs demonstrates our commitment to be your strongest partner, providing the toughest trucks for your business needs.





## ■ **DEPENDABILITY**

- Protected powertrain
- Industrial strength electronics
- Superior cooling
- Hassle-free hydraulics

## ■ **LOW COST OF OWNERSHIP**

- Optional transmission with Auto Deceleration System
- Controlled power reversal
- Vehicle System Manager
- CANbus communications

## ■ **SERVICEABILITY**

- Cowl-to-counterweight access
- Fast, easy daily service checks
- Guaranteed parts availability
- Extended service intervals

## ■ **ERGONOMICS**

- Low noise level
- Excellent visibility
- Advanced dash display
- TouchPoint mini-levers

## ■ **PRODUCTIVITY**

- Various transmission configurations
- Superior operator control
- Hyster Stability System
- Hyster® Variable Power Technology™

# ADVANCED DEPENDABILITY

## DECREASE DOWNTIME BY UP TO 30%

Industrial lift truck downtime results from problems with the powertrain, electrical system, cooling system or hydraulic system. Advanced design of the H30-40FTS truck series has reduced downtime by up to 30%.

In addition, the Hyster dealer network is able to respond swiftly to any downtime reported and provide a quick service solution. Furthermore, the Fortis® truck offers excellent service access to allow for easy maintenance. Together these factors assist you in maintaining maximum productivity in your operation.

### ■ PROTECTED POWERTRAIN

- Pacesetter VSM industrial onboard computer monitors and protects the engine powertrain to maximize the H30-40FTS series uptime.
- Transmission gears and shafts are up to 15% stronger to handle even the most demanding duty cycle.
- Electronic controlled powershift transmission has state-of-the-art clutch packs that are stronger, larger and provide up to 3 times more operating life.
- Hyster® tough brakes are self-adjusting and self-energizing with heavy duty backing plate to provide optimal performance and lengthened service life.



VSM Industrial Computer

### ■ INDUSTRIAL STRENGTH ELECTRONICS

- CANbus communications network reduces wiring complexity, providing superior dependability.
- Non-mechanical, Hall Effect sensors and switches are designed to outlast the life of the truck.
- Proven tough Pacesetter VSM industrial onboard computer manages truck operation to maintain world-class dependability to maximize uptime.
- IP66 sealed electrical connectors keep out water and debris so you can powerwash the Fortis® line of lift trucks.
- Smart, one-way routing path for wire harnesses ensures consistent high-quality assembly while increasing durability and simplifying maintenance when needed.



IP66 Sealed Connector

## ■ EFFICIENT COOLING

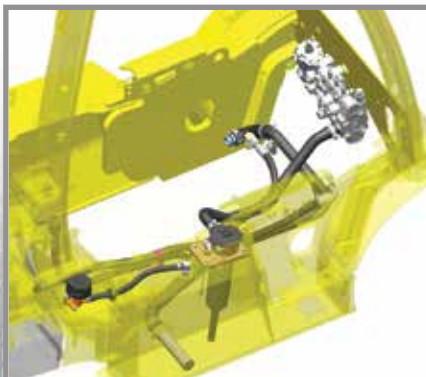
- Innovative design and durable components make up the industry's best cooling capacity – a key factor to increasing uptime and the economic life of your trucks.
- Soft rubber isolator mounted radiators are protected from frame vibration and stresses, increasing reliability and durability to significantly extend service life.
- A superior counterweight tunnel design coupled with a “pusher” type fan and enhanced shroud design improves airflow and significantly reduces the recirculation of hot air to maximize cooling capabilities.



Counterweight tunnel design improves airflow

## ■ HASSLE-FREE HYDRAULICS

- Leak-free O-ring face seal (ORFS) fittings reduce leaks for enhanced reliability.
- A 10-micron, high-performance, in-tank filtration system captures 99.5 percent of hydraulic system debris, significantly extending component life.
- Smart placement of the control valve and hydraulic lines away from heat sources reduces operating temperature, extending the life of seals and hoses and improving longevity.



Hydraulic System



# LOWEST COST OF OWNERSHIP

## SIGNIFICANT SAVINGS IN OWNERSHIP COSTS PER LIFT TRUCK – EACH YEAR

Lowering operating costs in all types of applications is what the Hyster® H30-40FTS Fortis® series does best. In head-to-head comparisons with the leading competitors' comparable trucks, the H30-40FTS was shown to offer significant annual savings in operating consumable costs, such as fuel efficiency, longer tire life, reduced brake wear and decreased service time, which results in the lowest cost per load moved. This, combined with a 30% decrease in downtime, makes the Hyster® H30-40FTS Fortis® series an exceptionally smart choice.

### ■ WORLD-CLASS EFFICIENCY

- Auto Deceleration System extends brake life by up to 60% by automatically slowing the truck when the accelerator pedal is released.
- Controlled power reversal feature virtually eliminates tire spin, increasing drive tire life by up to 50%. This feature is programmable to match the needs from delicate to more aggressive settings for maximum productivity.
- Electronic hydraulic control system, featuring TouchPoint mini-levers, precisely manages hydraulic pressure and flow to supply exactly the right amount of power for each function, reducing fuel consumption.



## ■ SUPERIOR SERVICEABILITY

- Pacesetter VSM continuously monitors fluid levels and powertrain status, reducing daily service checks and preventing major repairs.
- Complete cowl-to-counterweight service access is provided through a rear-opening, one-piece hood and an easy-to-remove, one-piece floor plate which requires no tools.
- Engine coolant change and hydraulic oil change intervals are 4,000 hours.
- State-of-the-art onboard diagnostics reduce repair time and minimize expensive parts swapping.
- Coil over plug ignition design eliminates spark plug wires and the need to periodically replace them



Easy service access

## ■ ADVANCED DEPENDABILITY

- Electronically controlled transmissions which reduce shock loading, clutch packs with up to 3 times the operating life, 15% stronger gears and shafts, and Hyster® premium brakes all work to provide unmatched reliability.
- CANbus communications, non-mechanical sensors and switches and IP66 rated sealed connections mean electrical problems are a thing of the past.
- The H30-40FTS series' superior airflow and choice of heavy duty cooling systems keep heat in check, while providing world-class dependability in even the harshest of environments.
- Leak-free O-ring face seal (ORFS) fittings at all high pressure connection points, superior filtration (10 micron) system and smart placement of valve and lines take the worry out of hydraulics.



Coil over plug ignition design

## ■ SUPPORTING CUSTOMERS WITH WORLD-CLASS PARTS & SERVICE

Four Parts Distribution Centers strategically located around the world provide a full range of original equipment and aftermarket parts that help maintain our customers' uptime. In fact, our Guaranteed Availability Program ensures that parts for all lift trucks within two years of age are available within 24 hours, 100% of the time.\*

We also take that commitment into the field with the Hyster CERTECH® Certification training program. This technical training program provides both systems level as well as product-specific education to ensure lift trucks are repaired right the first time.

\* Contact your local dealer for program details.



# SUPERIOR ERGONOMICS

## OPTIMUM DRIVER COMFORT LEADS TO SIGNIFICANT SAVINGS IN OPERATING COSTS.

Extensive operator testing has resulted in a design of lift trucks that are easy and comfortable to operate. The Hyster Fortis® series reduces operator fatigue and increases productivity through superior operator comfort, precise, effortless handling, and easy entry and exit. For the Hyster® H30-40FTS lift truck owner, this means significant savings in operating costs and productivity improvements.

### ■ SUPERIOR OPERATOR COMPARTMENT

- Easy-to-use 3-point entry design of operator compartment uses a molded hand grip, armrest/hip restraint and a large open non-slip step with a low step height to help minimize muscle/joint strain during entry and exit.
- Increased shoulder clearance – a result of the curved leg of the overhead guard and ample floor space – gives operators greater foot room.
- A choice of 5 different seats enables a more customizable level of operator comfort by its enhanced design and adjustable features.
- The standard non-cinch seat belt increases operator comfort by remaining loose during normal driving conditions. This automotive-style seat belt features an internal mechanism that locks the seat belt if required.
- Low noise level at operator ear lessens driver fatigue, improving driver satisfaction for an overall increase in productivity.
- Isolated drivetrain minimizes the effect of powertrain vibration and road-borne shocks to increase operator comfort all shift long.
- Swing-out bracket frees the LPG tank from over the counterweight to simplify changeout.
- Optional EZXchange bracket also lowers the tank on its stable platform to minimize arm and back strain for even easier changeouts.



LPG Swing-Out Bracket



Ample Floor Space



Comfortable Operator Compartment



## ■ LOW-EFFORT OPERATION

- The adjustable armrest that accompanies the TouchPoint e-hydraulic optional configurations moves with the seat and telescopes forward/vertical in one simple movement to provide greater flexibility in achieving a more custom position.
- Rear drive handle with horn button (optional) provides an excellent hand hold for reverse driving while giving ready access to the auxiliary horn button for use when approaching cross-aisles and pedestrian traffic areas.
- Brake pedal layout and the minimal braking requirements of the Auto Deceleration System significantly reduce operator fatigue.
- 12-inch steering wheel with spinner knob improves steering response, increasing control and efficiency while minimizing shoulder strain with only 4 turns lock-to-lock.
- An infinitely adjustable tilt steer column and optional full-suspension seat assure the right fit for any operator.
- Controlled rollback on ramps contributes to lower driver fatigue and significantly enhances truck and load control on ramps.



Electro-Hydraulic Controls with Touchpoint Mini-Levers

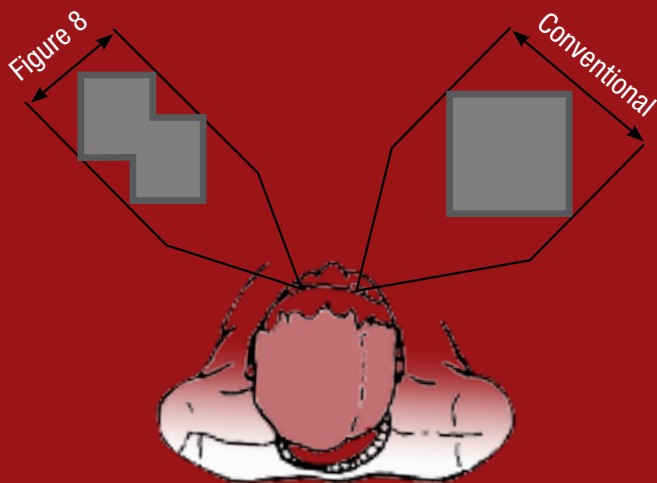
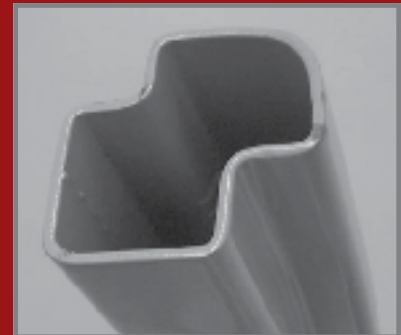


Figure "8" tubing improves visibility around front overhead guard legs by reducing the overall cross-section width of the overhead guard leg by over 20% while maintaining strength.



## ■ PERFORMANCE AT-A-GLANCE

- Advanced dash display uses a non-reflective, backlit LCD screen, and 21 indicator lights provide performance at-a-glance in all lighting conditions.
- Easy-to-use onboard diagnostics through the advanced dash display provide fast and accurate troubleshooting for first-time fixes.
- Optional premium monitoring package reports air and hydraulic oil filter restrictions and low engine coolant levels, avoiding more serious repairs.

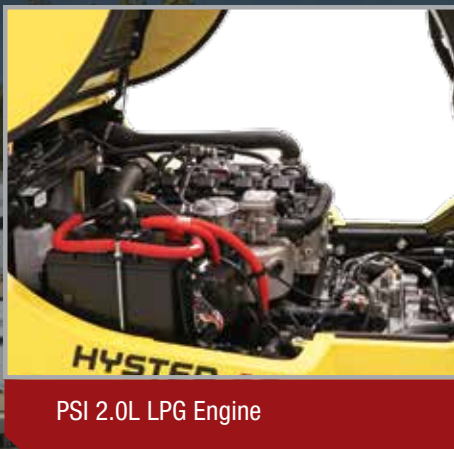
# ENHANCED PRODUCTIVITY

## INCREASE THROUGHPUT AND SALES VOLUME WHILE REDUCING OPERATING COSTS

Productivity means moving more of your loads in less time with less cost. The development of the Hyster® H30-40FTS series has focused on boosting performance to increase productivity and meet application requirements. This increased productivity results in significant savings in materials handling costs through reduced operating expenses, labor costs and operator overtime and increased throughput.

### ■ PERFORMANCE CUSTOMIZED FOR YOUR APPLICATION

- Hyster® Variable Power Technology™ provides adjustable performance modes that allow customers to maximize productivity or fuel economy to fit their specific application requirements.
- The H30-40FTS series choices of 2 engine performance modes, 2 performance transmissions, and 2 hydraulic controls allow you to customize your truck to optimize the productivity in your application.
- PSI 2.0L LPG industrial engine provides enhanced fuel efficiency so you can get more loads moved on a single tank.
- Pacesetter VSM onboard computer enables you to adjust and optimize the performance of your H30-40FTS trucks.
- Patented DuraMatch™ transmissions provide breakthrough features that include the Auto Deceleration System, controlled rollback on ramps, and controlled power reversals to move loads more efficiently with less operator fatigue and product damage.
- Enhanced cooling system with optimized airflow stabilizes operating temperatures, allowing uninterrupted workflow and increasing uptime.



PSI 2.0L LPG Engine



## ■ SUPERIOR OPERATOR CONTROL

- Superior ergonomic features like ample foot and leg room, optional e-hydraulic controls, infinitely adjustable tilt steer column, integrated dashboard display, 12-inch steering wheel with spinner knob, enclosed cab (optional), Auto Deceleration System, EZXchange tank bracket (optional), 5 choices of seats, and the reverse drive handle with integrated horn button (optional) enable your operator to maximize productivity.
- Optional return-to-set tilt has programmable set points for alignment of mast and forks and is extremely beneficial in applications where product damage can be caused by nonparallel stacking.
- The optional Hyster-designed integral sideshift provides excellent visibility and affords greater capacities than carriage mounted sideshifts.
- Low-effort ergonomics and intuitively-located controls provide superior operator comfort minimizing fatigue and maximizing productivity.
- The Hyster exclusive MONOTROL® pedal provides for quicker, smoother control of travel speed and direction, improving operator efficiency and bolstering productivity.



Integrated Dashboard



Seatside Directional Control

## ■ MAXIMUM STABILITY

- Our patented Hyster Stability System (HSS®) is built into the fundamental design of every truck—it's not “added on” like other manufacturers—to allow for travel across various surfaces and to minimize truck lean for enhanced lateral stability.
- HSS® is a 100% maintenance-free design and its passive mechanical system uses gravity to optimize steer-axle geometry.

## ■ SUPERIOR SERVICEABILITY

- Complete cowl-to-counterweight access, convenient daily service, the integral dashboard display's onboard diagnostic capabilities and reduced service requirements significantly reduce service times to maximize uptime.



MONOTROL® Pedal

# PERFORMANCE OPTIONS

## TAKING MATERIALS HANDLING TO A NEW LEVEL.

Hyster® H30-40FTS Fortis® series trucks are built for superior performance so that operators can trust them with heavy loads, long loads and all loads in-between.

- Hyster Stability System (HSS®) is virtually a 100% maintenance-free design.
- State-of-the-art industrial engine
- Electronically controlled transmissions
- Superior cooling
- Active system monitoring
- VISTA™ masts

### ■ HYSTER® VARIABLE POWER TECHNOLOGY™

Hyster® Variable Power Technology™ provides adjustable performance modes that allow customers to maximize productivity or fuel economy to fit their specific application requirements. With two selectable performance modes, the H30-40FTS series can be tailored to achieve a balance of enhanced performance and superior fuel economy, or to maximize productivity during peak business periods when moving more loads is integral to the success of your operation.



## ■ SUPERIOR TRUCKS. SUPERIOR OPTIONS.

- Integral sideshifter with or without fork positioner
- High intensity (front/rear/brake/back-up/tail) halogen or LED worklights
- Premium electronic monitoring
- TouchPoint e-hydraulic controls with adjustable armrest
- Full-suspension seat in vinyl or cloth
- Load weight display
- Rear drive handle with horn button
- Swing-out, drop-down LPG tank bracket
- 2-stage limited free lift 83" trucker's style mast
- Polycarbonate overhead guard rain top
- Red, high-visibility, non-cinch seat belt with or without start interlock



# INNOVATIVE TRUCKS ENGINEERED TO MEET THE MOST DEMANDING APPLICATIONS

For more than 80 years, Hyster has been conquering the world's most demanding applications. In the 1920's Hyster started as a manufacturer of lifting machines used in the rigorous logging industry of the United States' Pacific Northwest. A few years later the first forklift trucks were invented and the Hyster brand quickly gained its reputation for rugged quality. Hyster® lift trucks are designed to lower your cost of operations. Every truck we make — gasoline, LPG, diesel and electric — is purpose-built to excel in its application. Every truck is also backed by an unmatched network of specialists.



**Dealer Network** — Our Dealer Network can offer the expertise of fleet managers, parts suppliers, capital procurement specialists and trainers. Hyster's carefully chosen dealers fully understand customer applications, assist in selecting the right lift truck and provide fast, reliable support.



**Hyster Fleet Services** — Even if you operate other brands, we can manage your maintenance and replacement plan. We can offer complete fleet analysis, fleet history summary and a cost-effective proposal for replacement and scheduled maintenance.



**Parts** — With genuine Hyster replacement parts and UNISOURCE™ parts for all makes of lift trucks, we are your one-stop source for lift truck parts. In fact, we offer more than 2 million part number crosses for most brands of materials handling and other in-plant mobile equipment.



**Rental Products** — When leasing or buying isn't a practical option, we have access to more than 14,000 units for short- and long-term rental. We'll help you maintain output in a cost-effective manner.



**Hyster Capital** — We can arrange solutions for special financing requirements, taking the difficulties out of buying the equipment you need. Whether you purchase or lease a new or used lift truck, Hyster Capital offers superior service and competitive rates.



**Special Products Engineering Department (SPED)** — Different materials require different handling. That's why we can work with you to customize your lift trucks. From strobe lights to specially made forks, SPED has the tools to help you get the job done right.



**Operator Training** — Proper education in operating lift trucks minimizes the risk of injuries due to accidents while increasing productivity. Hyster offers OSHA-compliant materials that support the training of qualified operators.



**Service** — Your local Hyster® dealer offers a flexible, customized and comprehensive maintenance plan based on each lift truck's operation environment. Hyster service programs offer scheduled inspections and maintenance, along with quick, responsive service dispatched to your location.





Hyster Company  
P.O. Box 7006  
Greenville, North Carolina  
27835-7006  
Part No. H30-40FTS/B  
1/2015 Litho in U.S.A.

Visit us online at [www.hyster.com](http://www.hyster.com) or call us at **1-800-HYSTER-1**.

Hyster, , Fortis, MONOTROL are registered trademarks of Hyster Company.  
 is a trademark of Hyster Company. Hyster products are subject to change without notice.

The Hyster Company product included in this document may be covered by U.S. Patent 6,684,148 and other patents pending.  
All trucks shown with optional equipment. © 2015 Hyster Company. All rights reserved.